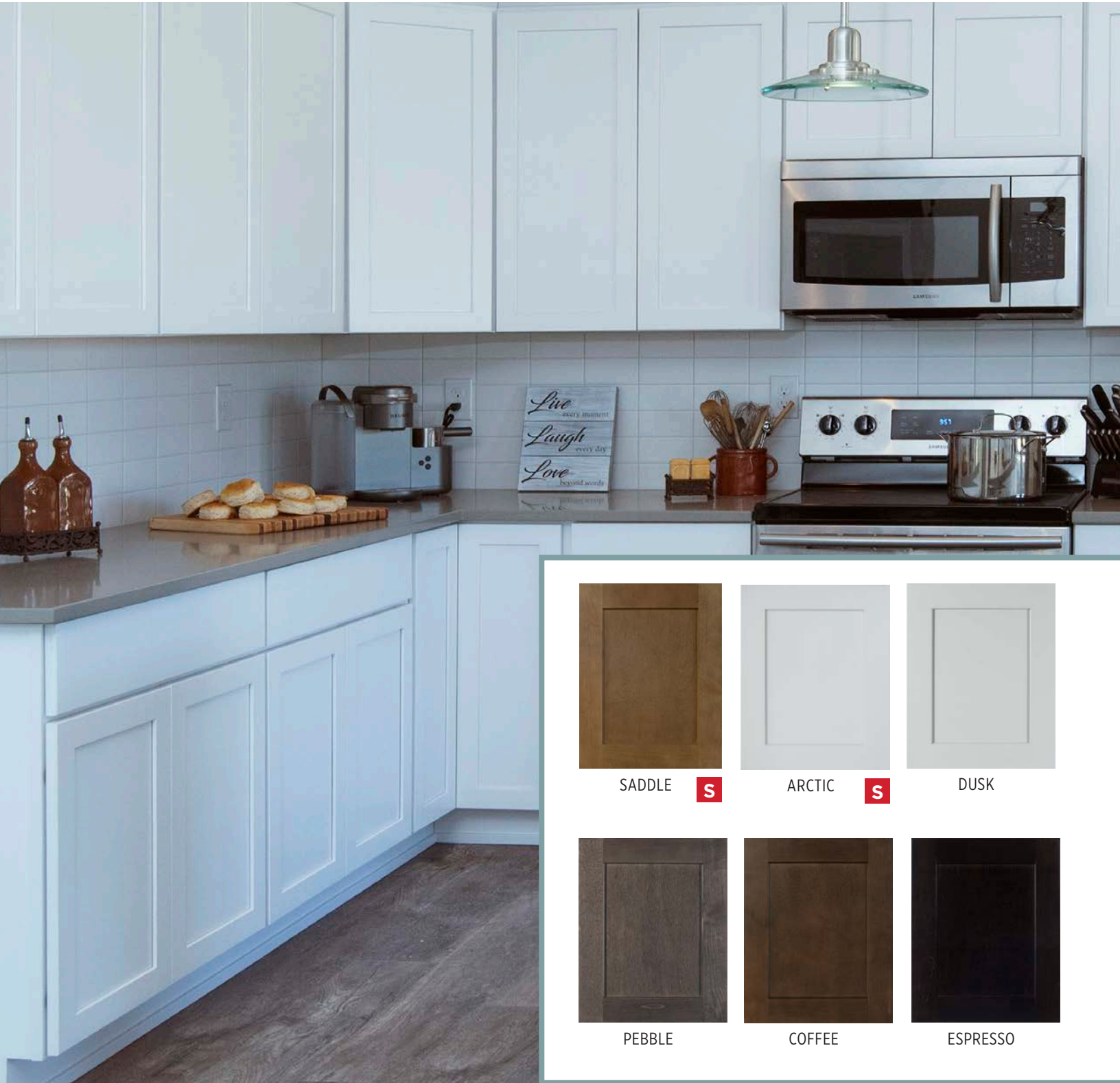




# BADGER CABINETS BUILDER SERIES

V2 2021 catalog



SADDLE



ARCTIC



DUSK



PEBBLE



COFFEE



ESPRESSO



1801 West Avenue South • La Crosse, WI 54601  
608.788.0100 • 608.788.0100  
fax 608.788.5272  
badgerlax.com

email orders to: **[cabpurchasing@badgerlax.com](mailto:cabpurchasing@badgerlax.com)**

**Kim Doolittle**

[kdoolittle@badgerlax.com](mailto:kdoolittle@badgerlax.com)  
x229 or 608.790.9522

**Melissa Sexauer-Mlsna**

[mcsexauer@badgerlax.com](mailto:mcsexauer@badgerlax.com)  
x323 or 608.790.9504

**Selina Stanek**

[sstanek@badgerlax.com](mailto:sstanek@badgerlax.com)  
x252 or 608.790.9582

**Amanda Mish**

[amish@badgerlax.com](mailto:amish@badgerlax.com)  
x262 or 608.433.2890

**Jackie Hanson**

[jhanson@badgerlax.com](mailto:jhanson@badgerlax.com)  
x231 or 608.790.9751

**Lynn Cade**

[lcade@badgerlax.com](mailto:lcade@badgerlax.com)  
x204 or 608.790.9517

# BADGER CABINETS BUILDER SERIES

JAN 1 2022

## See Door Specification Sheet for Availability on all Options

THESE ARE STYLE OPTIONS AND UPCHARGES WILL APPLY TO ALL DOORS

Full Overlay 5%

### Paint Upcharge

Arctic 11%  
Dusk 11%

### AVAILABLE UPGRADES

Drawer Upgrade Charge \$113 List Price per Drawer  
DOVETAIL DRAWER WITH BLUM 7/8  
UNDERMOUNT SOFT CLOSE  
TRACK

Drawer Track Upgrade Charge \$72 List Price per Drawer  
BLUM 7/8 EXTENSION  
UNDERMOUNT SOFT CLOSE TRACK

SOFTCLOSE UPGRADE \$18 List Price per Door  
UPGRADE TO SOFT CLOSE HINGE

### MINIMUM ORDER CHARGE

\$15 PER CABINET CHARGE FOR ORDER OF 3 CABINETS OR LESS

### RUSH POLICY

Rush orders will have a \$40 per box charge. There is a limit of 3 cabinets per rush order. When you check the rush box on your cover sheet this charge will show up in your confirmation.

Any order over three boxes will not be considered for our rush program.

For more information refer to page 6

## **LIMITED 5 YEAR WARRANTY**

Koch & Co., Inc. warrants to the original consumer purchaser that the cabinet box, shelves, and drawer box will be free from defects in materials and workmanship, under normal use, for five years. This warranty is not transferable. No representative of Koch and Co., Inc has the authority to modify this warranty.

### **Warranty Limitations**

This limited 5 year warranty does not apply to:

1. Cabinetry installed outdoors.
2. Cabinets that have been improperly installed, cleaned or maintained.
3. Cabinets not installed in the United States.
4. Defects caused by misuse, abuse, negligence, alterations, environmental conditions, improper installation, normal wear and tear, commercial use or improper storage and handling.
5. Labor for replacement or removal of cabinets.
6. Midland cabinets should not be mixed with Classic, Imperial or Express cabinets in a project. Doing so will void any warranty on color issues.
7. Against expansion or contraction occurring as a result of humidity levels being too high or too low. We recommend 35% to 45% relative humidity levels in your home. This warranty will be void if cabinets are stored or installed in environments that do not have properly controlled humidity levels.
8. Damage claims on cabinets stored for longer than 90 days are subject to review by Koch management due to environmental exposure and additional handling issues. Some conditions could void this warranty.
9. Warp: Koch & Co., Inc. has an allowance of 3/16" on any door or drawer front under 24" wide x 45" tall. Any cabinet whose warpage exceeds 3/16" and can not be corrected by hinge adjustment will be replaced by Koch & Co., Inc. after it has been acclimated for 1 year. If doors are removed during installation pay close attention that they are reinstalled on the same cabinet.
10. Finish issues on unfinished cabinets.
11. Unfinished cabinets that are not finished within two weeks of delivery date.

### **Warranty Disclaimers**

1. Wood characteristics that are inherently associated with a wood species. Each wood specie exhibits its own distinctive pattern and characteristics which adds to its natural beauty.
2. Color variations. This warranty does not cover the natural aging and darkening of the wood color, nor does it apply to the inherent growth characteristics of the wood. As with other natural materials, wood is affected by environmental factors such as natural and artificial lighting. Darkening or mellowing of the wood can be expected and is a natural process of wood.
3. From time to time, we will change design, specifications and materials, as conditions require and improvements are developed, but we have no obligation to incorporate such changes in products we previously manufactured.

### **Warranty Performance**

Koch & Co., Inc may elect to repair or replace any Koch Cabinet product covered by our warranty. Should defects in material or workmanship exist during this warranty, Koch & Co., Inc. will elect at its discretion to either repair or replace the defective material or component, excluding labor costs. This warranty covers only parts and materials supplied by Koch & Co., Inc., and does not cover costs for removal or installation of counter tops, plumbing fixtures, appliances or related materials, or labor costs.

Natural and environmental factors will affect cabinet products over time: therefore, Koch & Co., Inc. cannot be responsible for replacement products that may not exactly color-match installed product.

Some states do not allow exclusions or limitations of incidental or consequential damages, so the above limitations or exclusions may not apply. This warranty gives you specific legal rights, and you may also have other rights.

The Midland Series is designed to be an entry level/stock cabinet line and may have slight imperfections that will be visible. This is an acceptable characteristic of this economical line and will not be a reason for replacement.

This warranty is in lieu of all other warranties expressed or implied.

## BADGER CABINETS BUILDER SERIES

**ORDERS:** Please send orders via Order Express. Orders are assigned a work order number the same day they are received. Orders received after 3:00 pm will be logged in the next business day. We do not accept orders over the phone. Three PM central time is the cut off time for order entry.

ONCE YOUR ORDER IS PLACED, THERE CAN BE NO CHANGES.  
CONFIRMATION WILL BE SENT WITHIN 24 HOURS BUT THE ORDER  
WILL HAVE ALREADY BEEN SENT TO THE PRODUCTION PROCESS.

**MINIMUM CABINET CHARGE:** There is a minimum order of cabinets. If you order three cabinets or less you will be charged \$15 per cabinet.

**RUSH POLICY:** Rush orders will have a \$30 per box charge. There is a limit of 3 cabinets per rush order. When you check the rush box on your cover sheet this charge will show up in your confirmation. Any order over three boxes will not be considered for our rush program.

Rush orders will be ready to ship in approximately five working days and will be shipped on the first available truck. Shipping date will depend on your truck schedule. If you decide to ship FED-EX or LTL those charges will apply. These charges can vary in price but will exceed \$125 depending on location of delivery.

**No** changes are allowed on rush orders after they have been confirmed. Work is started on the order as soon as it has been confirmed so that we can deliver it to you on time. Once the work has started it can not be stopped.

**THIS MIDLAND SERIES IS DESIGNED TO BE AN ENTRY LEVEL/STOCK CABINET LINE.**

**FOUR STAIN CHOICES:** Coffee, Espresso, Pebble and Saddle,

**TWO PAINT CHOICES:** Arctic and Dusk (11% Upcharge)

**ENDS:** Exposed ends will be closely matching print

**OVERLAYS:** Available in Standard and Mod Full Overlay

**ABSOLUTELY NO CABINET MODIFICATIONS NOT LISTED OR ADDITIONAL ACCESSORIES WILL BE ALLOWED.**

# BADGER CABINETS BUILDER SERIES

## MAPLE WOOD SPECIES

Maple is smooth, even grained wood that may contain: narrow staves, sapwood, heartwood, and all other natural commonly found within this species.

## FINISHES

### STAINS

Cabinets receive a coat of non wiping stain, one coat of self sealing conversion varnish and a top coat of conversion varnish.

### PAINTS - 11% UPCHARGE

On wood products, movement is typical due to changes in the climate conditions. This will cause the hairline cracks at the stiles, rails and joints that you will see in a painted finish. Panel shrinkage may also occur in the door panel of your cabinetry. Over time there may be a slight color change in this finish due to exposure to natural and artificial light. The color black also brings out the natural flaws in the wood that is hidden by other colors. These items listed above are natural occurrences in the wood and will not be considered a defect or reason for replacement by Koch Cabinets.

### FINISHING PROCESS

1. Doors and drawer fronts are sanded through a wide belt sander followed by an orbital sander.
2. They are hand sanded and inspected.
3. Stain is applied to both sides.
4. Doors and fronts have a coat of self sealing conversion varnish applied and are oven cured one side at a time.
5. They are hand seal sanded and brushed clean of sealer dust.
6. They have a top coat of conversion varnish applied and are oven cured one side at a time.

## CABINET CARE

### **INTERIORS:**

The interiors of the Koch Cabinets are surfaced with a Maple grained print that resists most stains, scuffs, and mars.

### **CLEANING:**

Koch hardwood exteriors have a high quality finish on the wood that brings out its full beauty. We recommend cleaning the interior and exterior of your cabinets once a month with a clean damp sponge or cloth. If a spill occurs, it is important to clean up the spill and dry the surface right away.

A spill left unattended will soak through the Maple print and cause damage. We do not recommend using paper towels because of their abrasiveness. To remove food residue or grease, use clean suds with a mild soap and water mixture.

Do not use cleaners that have any abrasive additive, bleach or ammonia. These cleaners will cause damage to your cabinet finish. Dishcloths used for other cleaning should never be used as they could contain remnants of harsh chemicals or grease.

Following cleaning, wipe all excess moisture off the cabinet fronts and door backs.

**CAUTION:** The most common form of damage done to cabinetry during normal maintenance is over scrubbing of the finishes, especially the edge profiles.

Excess moisture can damage any cabinet finish. Areas near the sink, dishwasher, range, oven and baseboards are the most susceptible. Keep these areas dry.

Koch cabinets have a high quality varnish finish and waxing is not necessary. Furniture polish may be used if waxing is preferred. Make sure to wipe off any excess polish to avoid build-up.

### **COLOR VARIANCE**

Colors of all products change as they age. Various wood species will react in different ways depending on their exposure to the sun as well as the environment they are located in.

### **STAIN BLOCK AND SAMPLE DOOR EXPIRATION**

All stain blocks and sample doors have a date on them. It is our recommendation that they be replaced when that date is more than 2 years old.

### **FURNITURE FINISH**

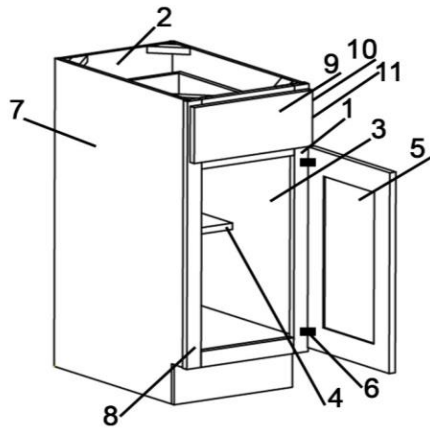
All finishes are glossier when freshly finished. The gloss level will tone down after approximately 6 months, depending on the environmental exposure.

### **CABINET DOOR BACKS**

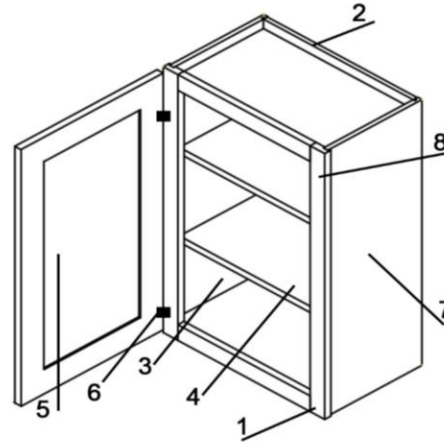
Door backs will not be finished to the same level of artistic detail as the front. They will have the same blending color and durability as the front of the door. Please have door samples for your customers to view.

**CABINET SPECIFICATIONS**

BASE CABINET



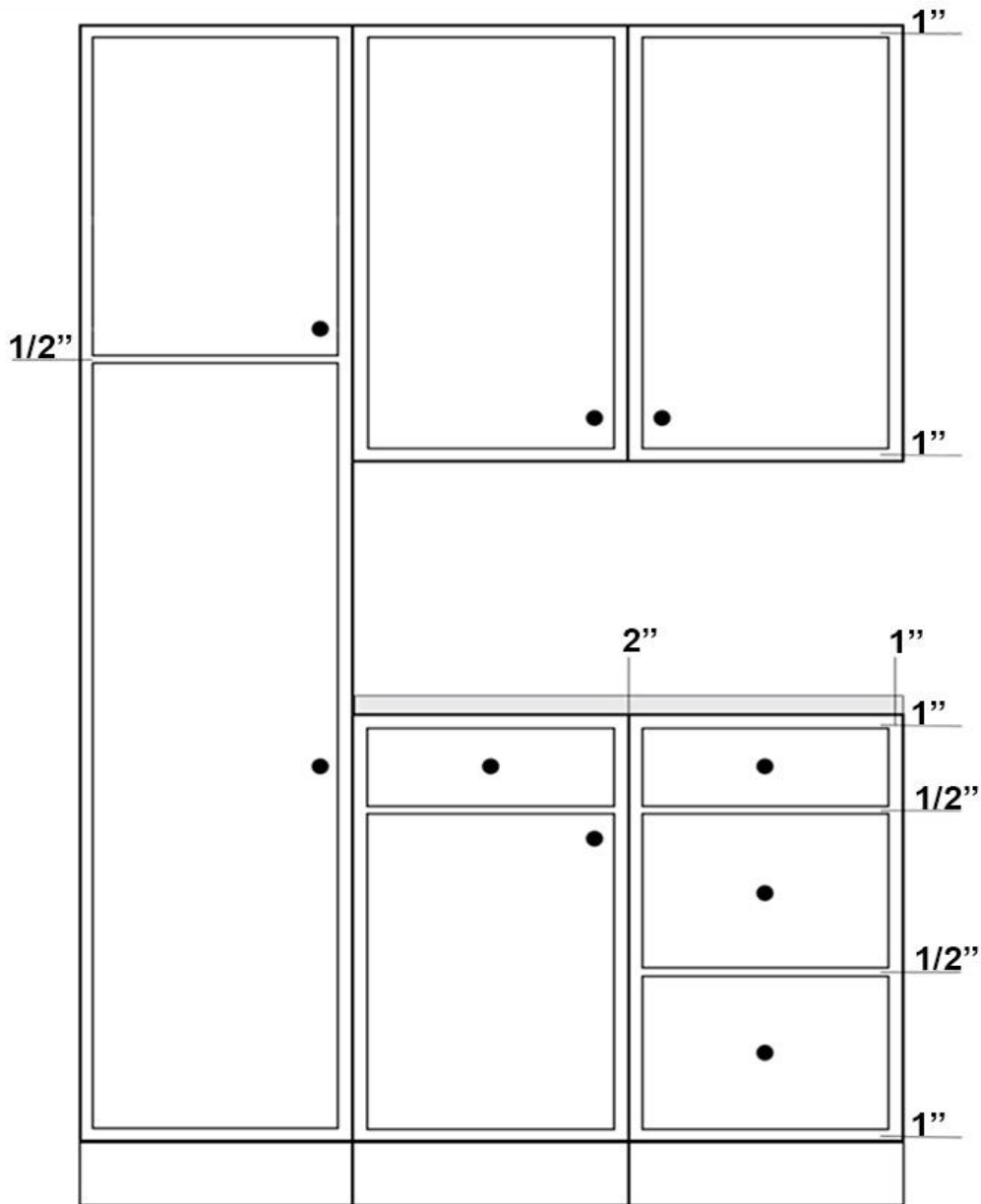
WALL CABINET



1. 3/4" HARDWOOD FACE FRAMES WITH GLUED AND POCKET SCREWED JOINTS.
2. 3/8" PARTICLE BOARD BACK WITH MAPLE PRINT INTERIOR.
3. 3/8" PARTICLE BOARD SIDES, TOPS AND BOTTOMS, WITH MAPLE PRINT INTERIOR.
4. 5/8" PARTICLE BOARD SHELVING WITH A MAPLE PRINT ON BOTH SIDES AND ONE EDGE. ALL SHELVES ARE ADJUSTABLE WITH BASE CABINETS HAVING 1/2 DEPTH SHELVES, SUPPORTED BY SHELF CLIPS.
5. PIONEER DOOR IS A 3/16" ENGINEERED, VENEERED FLAT PANEL WITH 2 1/4" HARDWOOD STILES AND RAILS. HIGHLAND DOOR STYLE IS A 3/4" ENGINEERED WOOD PANEL WITH SOFTENED EDGES.
6. ONE PIECE ADJUSTABLE HINGE.  
DOOR UPGRADE OPTION:  
1. ADJUSTABLE SOFTCLOSE HINGE
7. ENDS WILL BE A CLOSELY MATCHING PRINT TO THE FINISH SELECTION.
8. STANDARD FINISH CONSISTS OF NON WIPING STAIN, A COAT OF SELF SEALING CONVERSION VARNISH & A TOP COAT OF CONVERSION VARNISH. FINISH THINCKNESS APPROXIMATELY 7 MIL. WET.
9. 3/4" HARDWOOD DRAWER FRONTS, PAINTED MAPLE WILL BE 3/4" HDF FRONTS.
10. SELF ADJUSTING EPOXY COATED 3/4 EXTENSION SIDE MOUNT DRAWER GUIDES.  
TRACK UPGRADE OPTION  
1. UPGRADE TO A BLUM 7/8 EXTENSION UNDERMOUNT SOFT CLOSE TRACK
11. DRAWER BOX - 1/2" RABBETED BALTIC BIRCH DRAWER WITH 1/4" FLOOR, AND 3/4 EXTENSION SIDE MOUNT.  
DRAWER UPGRADE OPTION  
1. DOVETAIL DRAWER BOX WITH BLUM 7/8 EXTENSION UNDERMOUNT SOFT CLOSE TRACK



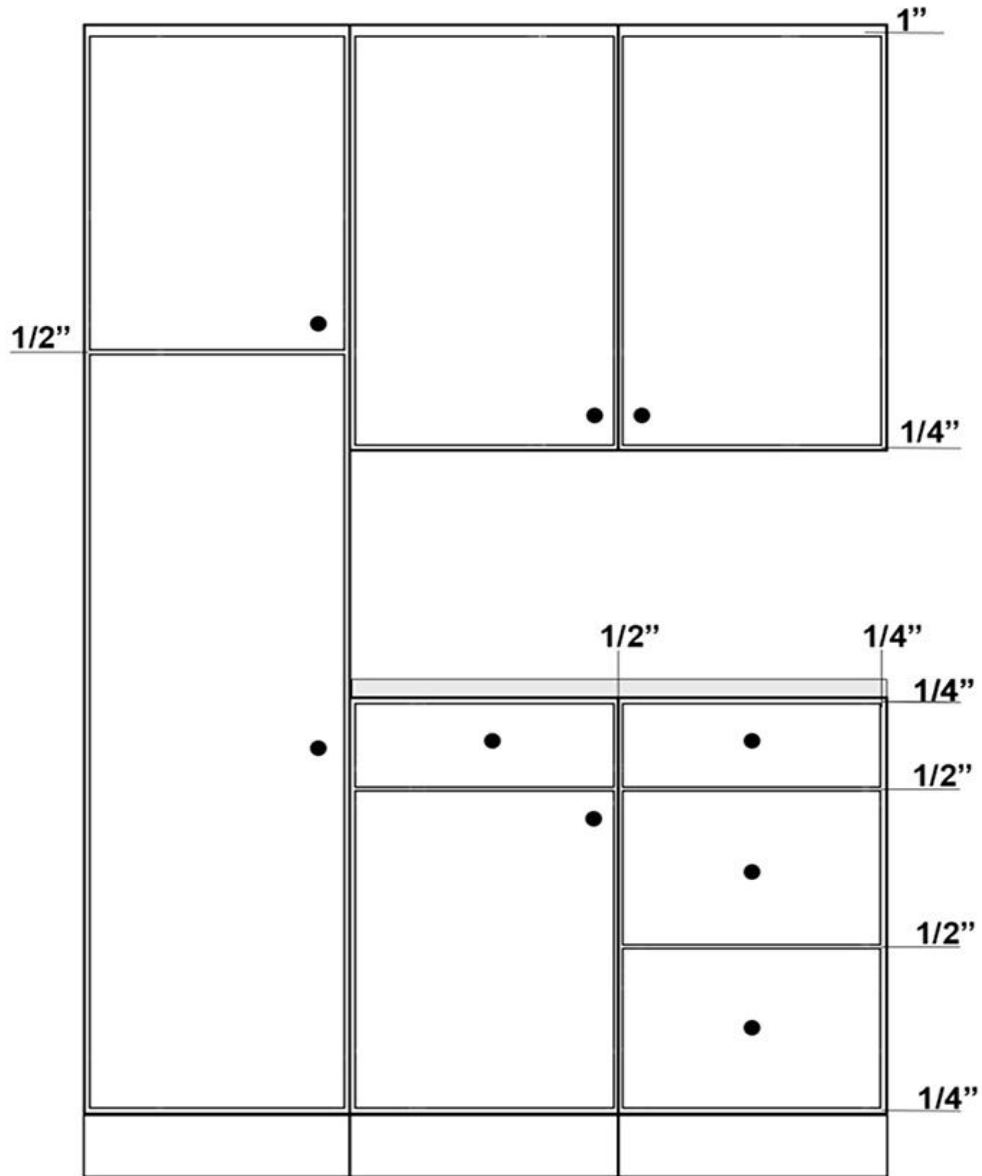
**STANDARD OVERLAY**



**Vertical reveals between doors or drawers of connecting cabinets will be 2". Horizontal reveals between stacked drawers, between drawers and doors and between stacked doors will be 1/2". Reveals at the top and bottom of walls, tall, bases, office and vanities will be 1".**

**MODIFIED FULL OVERLAY**

5% upcharge



Vertical reveals between doors or drawers of connecting cabinets will be 1/2". Horizontal reveals between stacked drawers, between drawers and doors and between stacked doors will be 1/2". Reveals at the top of wall and tall cabinets will be 1" and the bottom will be 1/4". Reveals at the top and bottom of base, office and vanity cabinets will be 1/4".

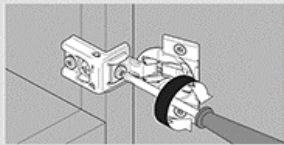
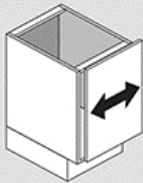
Blind Base and Wall - door overlaps blind side 1/2".

**DOOR ADJUSTMENT DIRECTIONS FOR BLUMOTION HINGE**

**Three-dimensional adjustment**

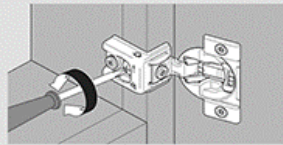
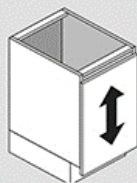
**Side adjustment**

Rotate the front cam screw to increase or decrease door overlay (+/- 1/16").



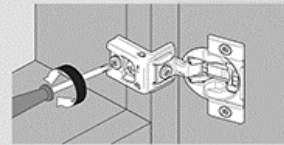
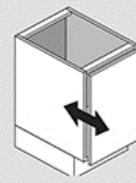
**Height adjustment**

Loosen installation screws to adjust door position (+/- 1/8"), then retighten.



**Depth adjustment**

Rotate the rear cam screw to adjust door gap (+ 3/32", - 1/32").

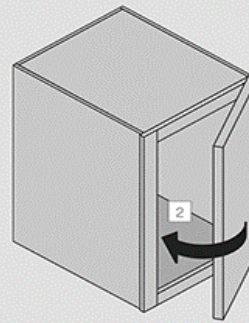
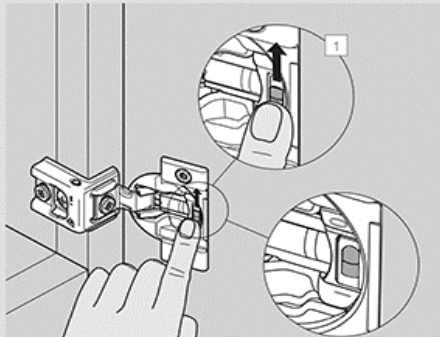


**BLUMOTION DEACTIVATION**

**Switch on the hinge cup**

For small or light doors, the BLUMOTION can be deactivated on one of the hinges. COMPACT BLUMOTION comes in the activated position, marked with a "1". The deactivated position is marked with a "0".

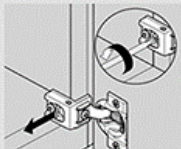
Door must be closed once for the deactivation to be complete. To reactivate, move switch back to the original position "1".



**COMPACT BLUMOTION ANGLE RESTRICTION CLIP - ASSEMBLY INSTRUCTIONS**

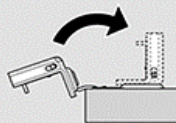
**Step 1 — Remove door**

Loosen and remove installation screws.



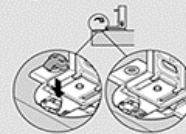
**Step 2 — Rotate hinge arm**

Rotate hinge arm to closed position.



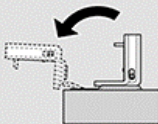
**Step 3 — Insert angle restriction clip**

Insert angle restriction clip (38C315B3) into base of hinge arm and secure.



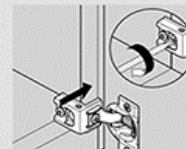
**Step 4 — Rotate hinge arm**

Rotate hinge arm to open position.



**Step 5 — Reattach door**

Align door and reattach by inserting and tightening installation screws.



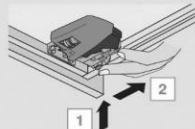
**TANDEM plus BLUMOTION**

**563H/563. installation instructions**



**Height adjustment**

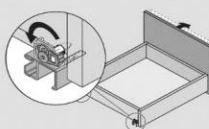
- 1 Press up on adjustment tab
- 2 Push towards back of drawer



Maximum 3 (1/8") rise of drawer front (tool-free)

**Tilt adjustment**

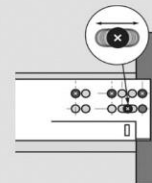
Rotate the tilt adjustment lever on the rear of each runner to lift the back of the drawer and tilt the top of the drawer front forward



Maximum 5 (3/16") rise of drawer back (tool-free)

**Depth adjustment on runner**

TANDEM 563 runners feature elongated holes that allow ±4.5 (3/16") depth adjustment



NOTE: Height and tilt adjustments available with all combinations of locking devices and runners

**BADGER CABINETS BUILDER SERIES**

**HIGHLAND DOOR STYLE**



AVAILABLE IN STANDARD OR MOD FULL OVERLAY

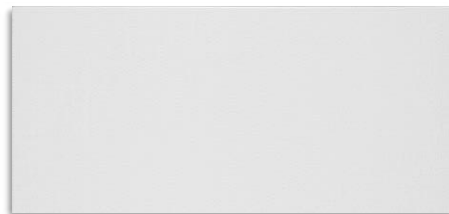
3/4" ENGINEERED WOOD PANEL WITH SOFTENED EDGES

	MAPLE	
<b>FINISH</b>		
<b>*PAINTS</b>		
ARCTIC		
DUSK		

**\*PAINTS WILL HAVE AN 11% UPCHARGE**



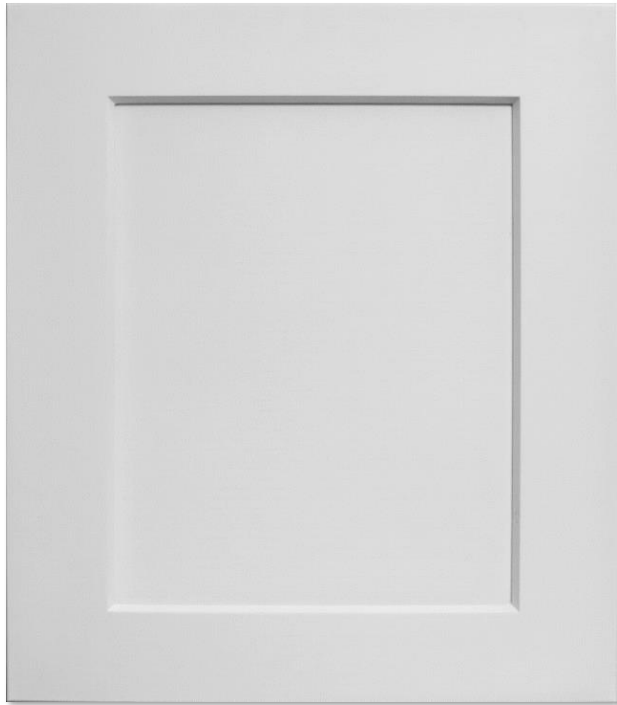
3/4" PANEL



PAINTED DRAWER FRONT WILL BE  
3/4" ENGINEERED WOOD WITH  
SOFTENED EDGES

**BADGER CABINETS BUILDER SERIES**

**PIONEER DOOR STYLE**

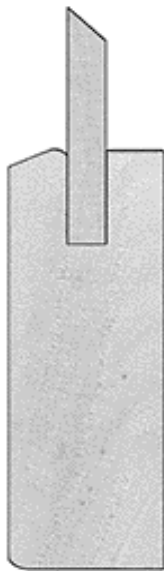


AVAILABLE IN STANDARD OR MOD FULL OVERLAY  
3/16" VENEERED PANEL INSERT

2 1/4" STILES & RAILS

	MAPLE	
<b>FINISH</b>		
<b>STAIN</b>		
COFFEE		
ESPRESSO		
PEBBLE		
SADDLE		
<b>*PAINTS</b>		
ARCTIC		
DUSK		

**\*PAINTS WILL HAVE AN 11% UPCHARGE**



28 DEGREE  
INSIDE BEVEL

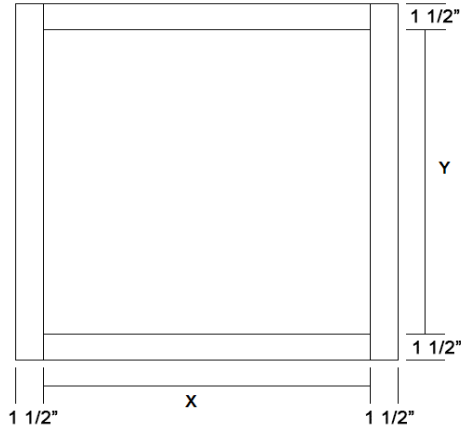


STAINED SLAB FRONT WILL BE 3/4"  
HARDWOOD

PAINTED DRAWER FRONT WILL BE  
3/4" ENGINEERED WOOD WITH  
SOFTENED EDGES

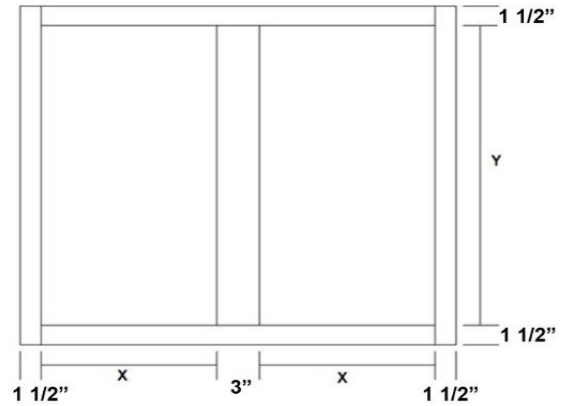
**WALL DIMENSIONS**

**STANDARD & REFRIGERATOR WALL W/ONE DOOR OR BUTT DOORS**



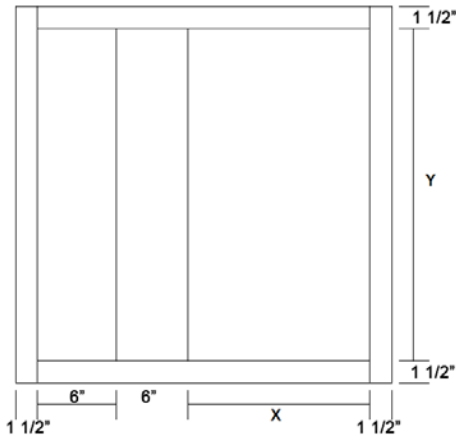
**Opening Size Calculation**  
 Cabinet Width - 3" = X  
 Cabinet Height - 3" = Y

**42" & 48" WIDE WALL CABINETS W/MULLION**



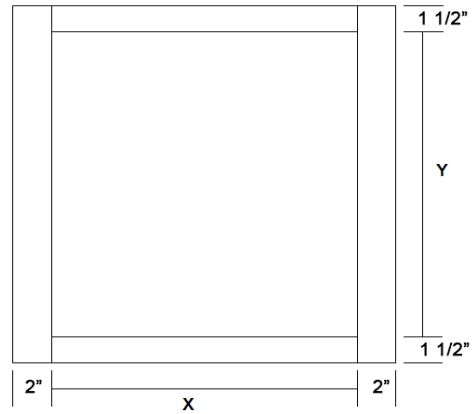
**Opening Size Calculation**  
 Cabinet Width - 6" / 2" = X  
 Cabinet Height - 3" = Y

**WALL BLIND CORNER W/ONE DOOR OR BUTT DOORS**



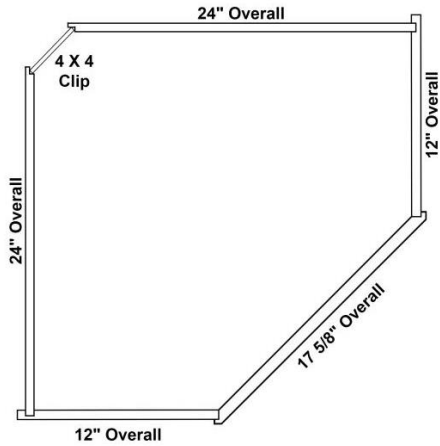
Cabinet Width - 15" = X  
 Cabinet Height - 3" = Y

**DIAGONAL WALL CABINETS - FRONT VIEW**

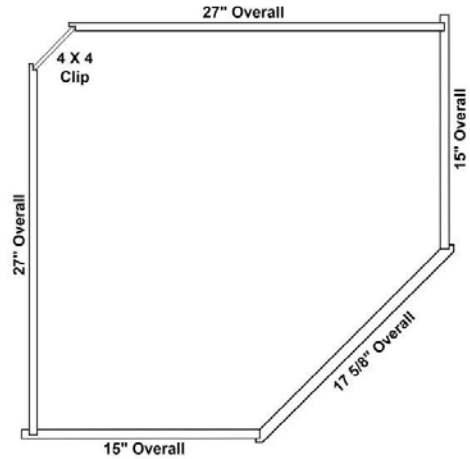


Cabinet Width - 4" = X  
 Cabinet Height - 3" = Y

**24W - 12" DEEP DIAGONAL WALL CABINETS - TOP VIEW**



**27W - 15" DEEP DIAGONAL WALL CABINETS - TOP VIEW**



TOE KICK IS RECESSED BACK 3"

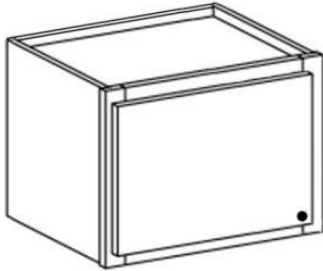
**BADGER CABINETS BUILDER SERIES**

**Wall Cabinets**

**STANDARD WALL CABINETS**

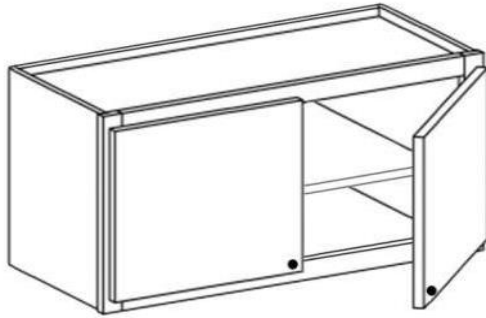
12", 15", & 18" TALL - NO SHELF, 24" TALL - ONE SHELF  
 30", 33" & 36" TALL - TWO SHELVES, 42" TALL - THREE SHELVES

**STANDARD WALL WITH ONE DOOR**



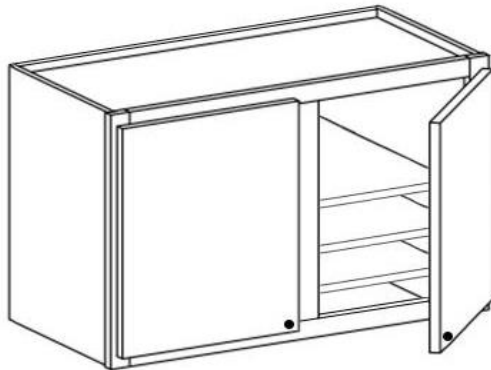
W930L

**STANDARD WALL WITH BUTT DOORS**



W2730-2B

**42" & 48" WIDE CABINET W/MULLION**



W4230

1/2" SPACE BETWEEN DOORS

12" DEEP STANDARD WALL		Price	
		A	
W3012-2B	30" X 12"	293	
W3312-2B	33" X 12"	302	
W3612-2B	36" X 12"	311	
W3712-2B	37" X 12"	315	
W3015-2B	30" X 15"	317	
W3315-2B	33" X 15"	327	
W3615-2B	36" X 15"	336	
W3715-2B	37" X 15"	341	
W3018-2B	30" X 18"	333	
W3318-2B	33" X 18"	344	
W3618-2B	36" X 18"	348	
W3718-2B	37" X 18"	353	
W3024-2B	30" X 24"	375	
W3324-2B	33" X 24"	390	
W3624-2B	36" X 24"	403	
W3724-2B	37" X 24"	408	
W3027-2B	30" X 27"	534	
W930L	9" X 30"	232	
W930R	9" X 30"	232	
W1230L	12" X 30"	247	
W1230R	12" X 30"	247	
W1530L	15" X 30"	263	
W1530R	15" X 30"	263	
W1830L	18" X 30"	281	
W1830R	18" X 30"	281	
W2130L	21" X 30"	296	
W2130R	21" X 30"	296	
W2430L	24" X 30"	314	
W2430R	24" X 30"	314	
W2730-2B	27" X 30"	411	
W3030-2B	30" X 30"	426	
W3330-2B	33" X 30"	444	
W3630-2B	36" X 30"	459	
W3930-2B	39" X 30"	480	
W4230	42" X 30"	495	
W4830	48" X 30"	539	
W936L	9" X 36"	334	
W936R	9" X 36"	334	
W1236L	12" X 36"	352	
W1236R	12" X 36"	352	
W1536L	15" X 36"	370	
W1536R	15" X 36"	370	
W1836L	18" X 36"	388	
W1836R	18" X 36"	388	
W2136L	21" X 36"	405	
W2136R	21" X 36"	405	
W2436L	24" X 36"	423	
W2436R	24" X 36"	423	
W2736-2B	27" X 36"	530	
W3036-2B	30" X 36"	546	
W3336-2B	33" X 36"	566	
W3636-2B	36" X 36"	584	
W3936-2B	39" X 36"	602	
W4236	42" X 36"	620	
W4836	48" X 36"	671	

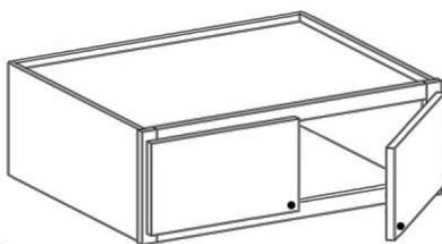




# BADGER CABINETS BUILDER SERIES

## Wall Cabinets


REFRIGERATOR WALL CABINETS  
NO SHELF IN 12, 15, AND 18 TALL, 1 SHELF IN 24 TALL



W3012U24-2B

24" DEEP REFRIGERATOR WALL		Price	
		A	
W3012U24-2B	30" X 12"	334	
W3312U24-2B	33" X 12"	347	
W3612U24-2B	36" X 12"	360	
W3712U24-2B	37" X 12"	365	
W3015U24-2B	30" X 15"	352	
W3315U24-2B	33" X 15"	370	
W3615U24-2B	36" X 15"	377	
W3715U24-2B	37" X 15"	383	
W3018U24-2B	30" X 18"	371	
W3318U24-2B	33" X 18"	386	
W3618U24-2B	36" X 18"	398	
W3718U24-2B	37" X 18"	402	
W3024U24-2B	30" X 24"	431	
W3324U24-2B	33" X 24"	449	
W3624U24-2B	36" X 24"	467	
W3724U24-2B	37" X 24"	471	

WALL BLIND CORNER W/ONE DOOR



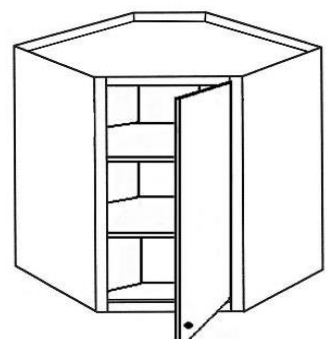
WC3024L

TWO SHELVES IN 30" & 36" TALL  
THREE SHELVES IN 42" TALL  
L AND R REPRESENT BLIND SIDE  
DOOR WILL BE HINGED TO BLIND SIDE  
  
CAN PULL UP TO 4". MINIMUM PULL 1"

12" DEEP BLIND CORNER WALL		Price	
		A	
WC3024L	30" X 24"	301	
WC3024R	30" X 24"	301	
WC3030L	30" X 30"	347	
WC3030R	30" X 30"	347	
WC3036L	30" X 36"	462	
WC3036R	30" X 36"	462	
WC3042L	30" X 42"	516	
WC3042R	30" X 42"	516	
WC3624L	36" X 24"	328	
WC3624R	36" X 24"	328	
WC3630L	36" X 30"	383	
WC3630R	36" X 30"	383	
WC3636L	36" X 36"	498	
WC3636R	36" X 36"	498	
WC3642L	36" X 42"	557	
WC3642R	36" X 42"	557	

WALL DIAGONAL CABINET

WD24'S REQUIRE 24" WALL SPACE FOR INSTALLATION  
WD27'S REQUIRE 27" WALL SPACE FOR INSTALLATION  
TWO ADJUSTABLE SHELVES IN 30" & 36" TALL,  
THREE SHELVES IN 42" TALL



WD2430R

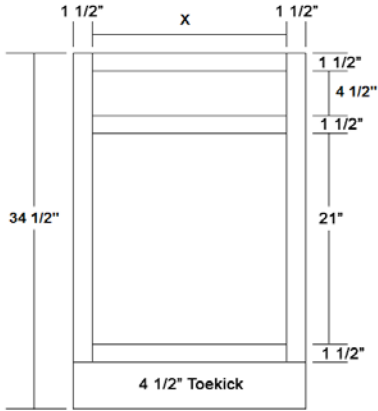
12" DEEP DIAGONAL WALL		Price	
		A	
WD2430L	24" X 30"	434	
WD2430R	24" X 30"	434	
WD2436L	24" X 36"	575	
WD2436R	24" X 36"	575	
WD2442L	24" X 42"	660	
WD2442R	24" X 42"	660	

15" DEEP DIAGONAL WALL		Price	
		A	
WD2730U15L	27" X 30"	600	
WD2730U15R	27" X 30"	600	
WD2736U15L	27" X 36"	740	
WD2736U15R	27" X 36"	740	
WD2742U15L	27" X 42"	826	
WD2742U15R	27" X 42"	826	

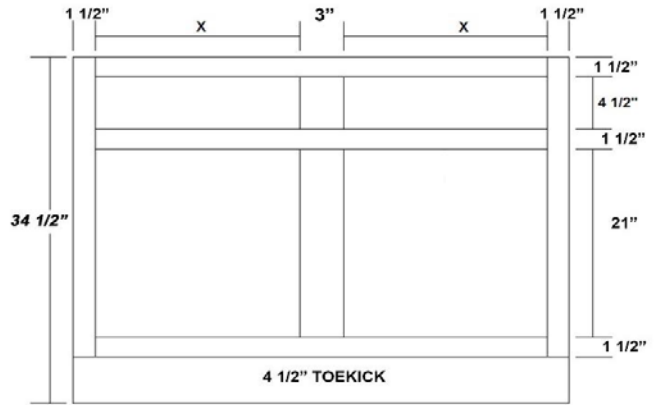
**BASE DIMENSIONS**

**BASE 12" THRU 36" W/ONE DOOR OR BUTT DOORS**



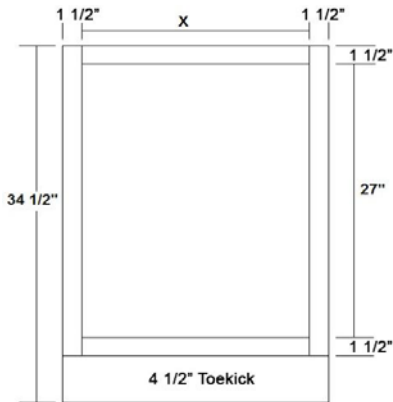
**Opening Width Calculation**  
Cabinet Width - 3." = X

**BASE 42" & 48" W/MULLION**



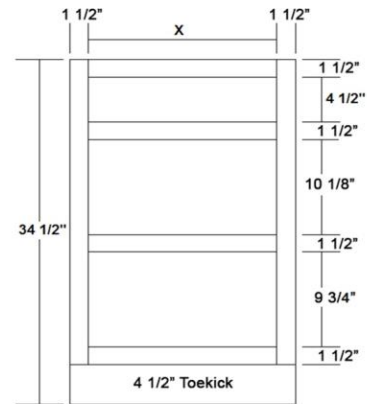
**Opening Width Calculation**  
Drawer opening is Cabinet Width - 6 / 2 = X

**BASE WITH FULL HEIGHT DOORS**



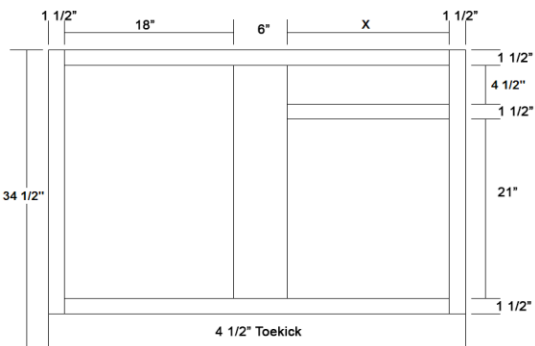
**Opening Width Calculation**  
Cabinet Width - 3." = X

**THREE DRAWER BASE**



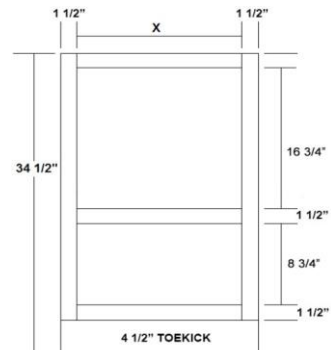
**Opening Width Calculation**  
Cabinet Width - 3." = X

**BASE BLIND CORNER**



**Opening Width Calculation**  
Cabinet Width - 27" = X

**BASE MICROWAVE W/DRAWER**

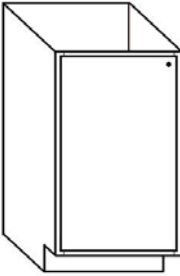
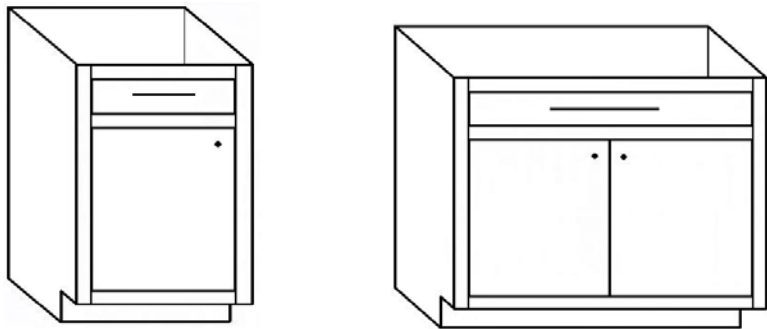
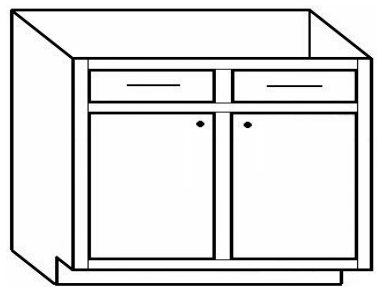
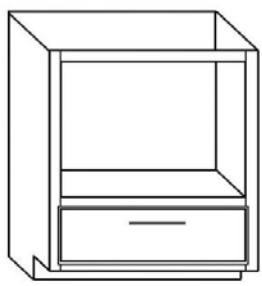


**Opening Width Calculation**  
Cabinet Width - 3." = X

TOE KICK IS RECESSED BACK 3"

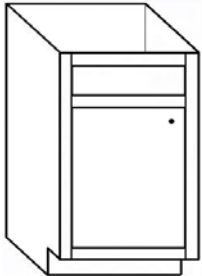
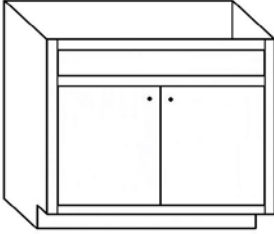
**BADGER CABINETS BUILDER SERIES**

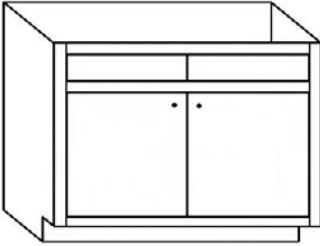
**BASE CABINETS**


		34 1/2" TALL BASE W/FULL HEIGHT DOOR - 24" DEEP		Price	
				A	
<p>BASE WITH FULL HEIGHT DOOR - NO SHELF</p>  <p>B9FHDL</p>	B9FHDL	9" X 34.5"	389		
	B9FHDR	9" X 34.5"	389		
<p>STANDARD BASE</p>  <p>B12L</p> <p>B27-2B</p>	34 1/2" TALL STANDARD BASE 24" DEEP		Price		
	B12L	12" X 34.5"	415		
	B12R	12" X 34.5"	415		
	B15L	15" X 34.5"	438		
	B15R	15" X 34.5"	438		
	B18L	18" X 34.5"	458		
	B18R	18" X 34.5"	458		
	B21L	21" X 34.5"	478		
	B21R	21" X 34.5"	478		
	B24L	24" X 34.5"	498		
	B24R	24" X 34.5"	498		
	B27-2B	27" X 34.5"	623		
	B30-2B	30" X 34.5"	644		
	B33-2B	33" X 34.5"	664		
	B36-2B	36" X 34.5"	684		
	B39-2B	39" X 34.5"	707		
<p>STANDARD BASE W/MULLION AND TWO DOORS</p>  <p>B42</p> <p>42" &amp; 48" W/MULLION</p> <p>1/2" SPACE BETWEEN DOORS</p>	34 1/2" TALL STANDARD BASE B42 AND B48 - 24" DEEP		Price		
	B42	42" X 34.5"	908		
	B48	48" X 34.5"	1152		
<p>MICROWAVE BASE W/DRAWER</p>  <p>BMW27ND-1.5</p> <p>MW INTERIOR WILL BE MAPLE PRINT</p>	34 1/2" TALL MICROWAVE BASE		Price		
	BMW27-MID1.5	27" X 34.5"	761		
	BMW30-MID1.5	30" X 34.5"	780		

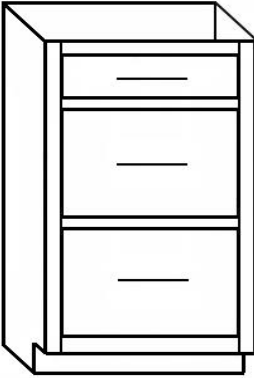
**BADGER CABINETS BUILDER SERIES**

**BASE CABINETS**

SINK BASE		24" DEEP SINK BASE		Price
				A
 <p>BS24L</p>	 <p>BS30-2B</p>	<b>BS24L</b>	24" X 34.5"	455
		<b>BS24R</b>	27" X 34.5"	455
		<b>BS27-2B</b>	27" X 34.5"	510
		<b>BS30-2B</b>	30" X 34.5"	522
		<b>BS33-2B</b>	33" X 34.5"	537
		<b>BS36-2B</b>	36" X 34.5"	549
		<b>BS39-2B</b>	39" X 34.5"	564

SINK BASE		24" DEEP SINK BASE		Price
				A
 <p>BS42-2B</p>		<b>BS42</b>	42" X 34.5"	576

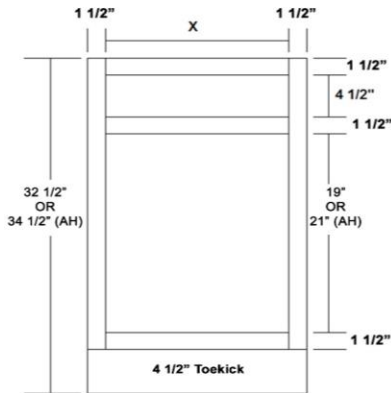
BASE TRASH ROLLOUT		24" DEEP TRASH ROLLOUT		Price
				A
 <p>BM15TR - HAS RV-15KD-17C S AND HAS 2 - 27 QT CONTAINERS                      BM18TR - HAS RV-18KD-17C S AND HAS 2 - 35 QT CONTAINERS</p>		<b>BM15TRL</b>	15" X 34.5"	813
		<b>BM15TRR</b>	15" X 34.5"	813
		<b>BM18TRL</b>	18" X 34.5"	843
		<b>BM18TRR</b>	18" X 34.5"	843

THREE DRAWER BASE		24" DEEP DRAWER BASE		Price
				A
 <p>BD12-3</p>		<b>BD12-3</b>	12" X 34.5"	543
		<b>BD15-3</b>	15" X 34.5"	582
		<b>BD18-3</b>	18" X 34.5"	604
		<b>BD21-3</b>	21" X 34.5"	636
		<b>BD24-3</b>	24" X 34.5"	669
		<b>BD30-3</b>	30" X 34.5"	702



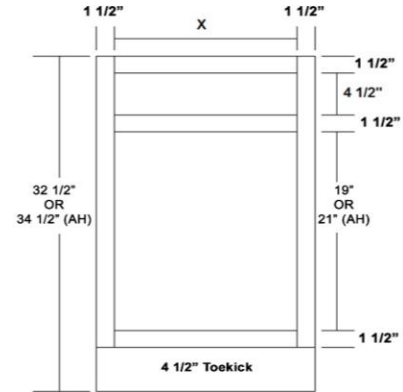
**VANITY DIMENSIONS**

**Vanity Base 12" thru 36" Wide**



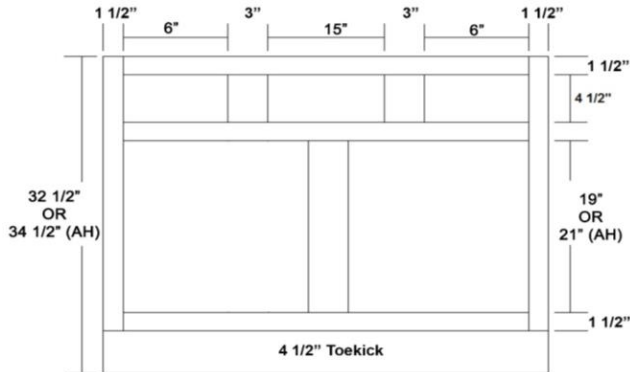
**Opening Width Calculation**  
Cabinet Width - 3" = X

**Vanity Sink Base 12" thru 36" Wide**

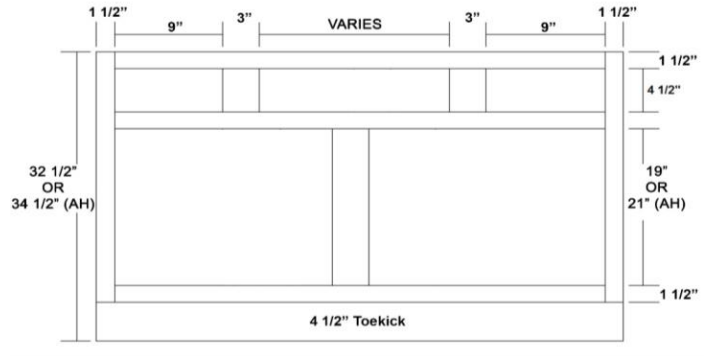


**Opening Width Calculation**  
Cabinet Width - 3" = X

**Vanity Sink W/Side drawers 36" Wide**

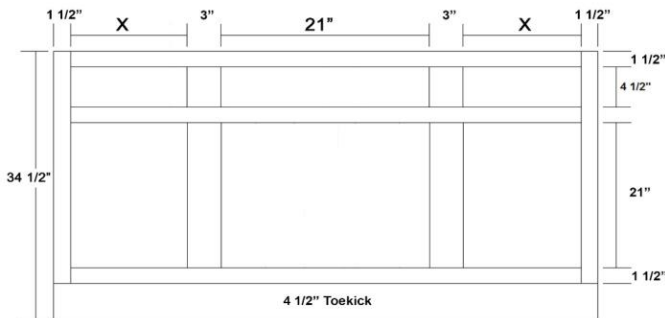


**Vanity Sink W/Side drawers 42" & 48" Wide**



**Opening Width Calculation**  
VB42SPA-H - CENTER DRW OPENING IS 15"  
VB48SPA-H-M - CENTER DRW OPENING IS 21"

**Vanity Sink W/Side drawers 54" & 60" Wide**

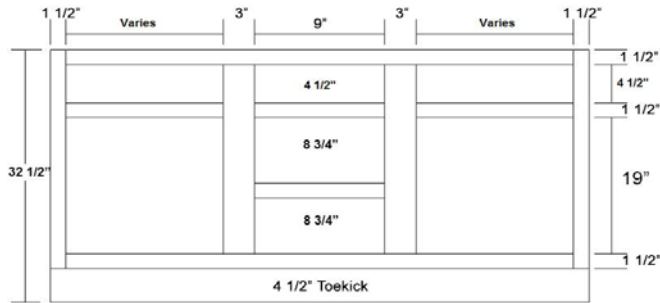


**Opening Width Calculation**  
VB54SPA-H X OPENING IS 12"  
VB60SPA-H-M X OPENING IS 15"

TOE KICK IS RECESSED BACK 3"

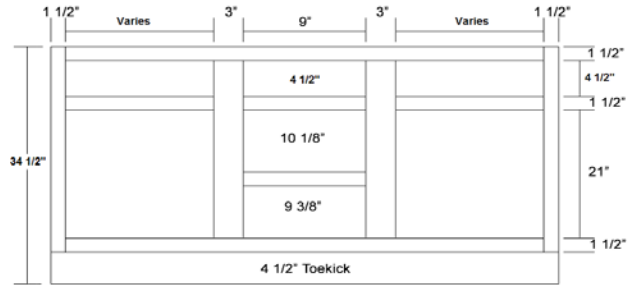
**VANITY DIMENSIONS**

**Vanity Base W/Center Drawers**



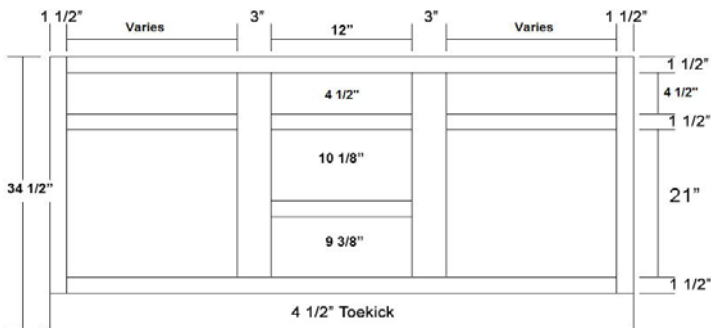
**Opening Door Width Calculation**  
VB60CD-3 - 21"

**AH Vanity Base W/Center Drawers**



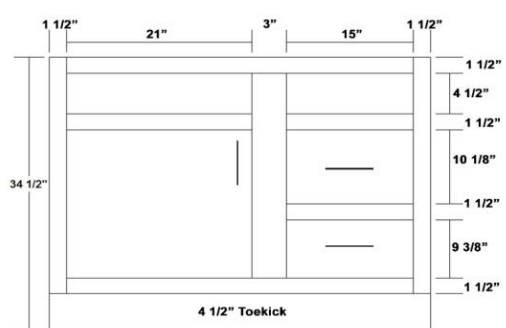
**Opening Door Width Calculation**  
VB54CDAH-3 - 18"  
VB60CDAH-3 - 21"

**AH Vanity Base 57" Wide W/Center Drawers**

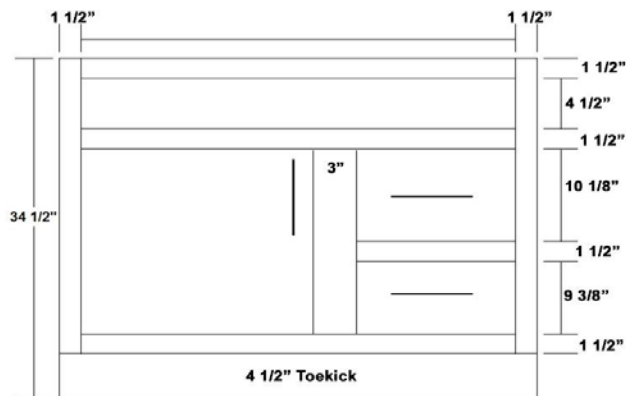


**Opening Door Width Calculation**  
VB57CDAH-3 - 18"

**Vanity Sink W/Tub Drawers 42"**



**AH Vanity Sink W/Tub Drawers 24" thru 36"**



**Opening Width Calculation**  
VB24TDAH-3  
VB27TDAH-3  
VB30TDAH-3

**Door Opening Width**  
9"  
12"  
15"

**Drawer Opening Width**  
9"  
9"  
9"

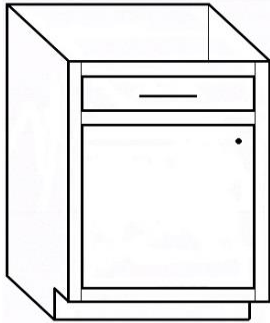
TOE KICK IS RECESSED BACK 3"

**BADGER CABINETS BUILDER SERIES**

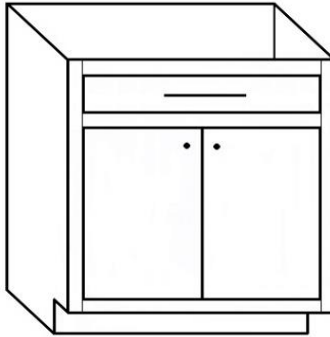
**VANITY CABINETS**

**VANITY BASE**

ONE ADJUSTABLE 1/2 DEPTH SHELF - ONE WIDE DRAWER FRONT



VB12AHL



VB27AH-2B

**21" DEEP VANITY BASE**

**Price**

**A**

<b>VB30-2B</b>	30" X 32.5"	570

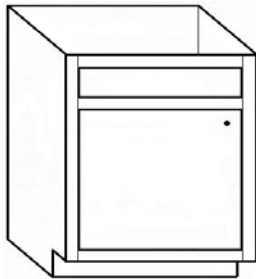
**AH 21" DEEP VANITY BASE**

**Price**

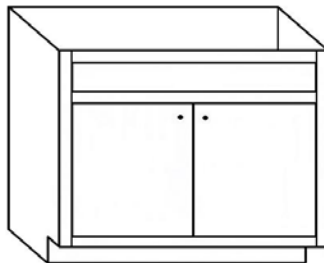
**A**

<b>VB12AHL</b>	12" X 34.5"	480
<b>VB12AHR</b>	12" X 34.5"	480
<b>VB15AHL</b>	15" X 34.5"	495
<b>VB15AHR</b>	15" X 34.5"	495
<b>VB18AHL</b>	18" X 34.5"	510
<b>VB18AHR</b>	18" X 34.5"	510
<b>VB21AHL</b>	21" X 34.5"	524
<b>VB21AHR</b>	21" X 34.5"	524
<b>VB24AHL</b>	24" X 34.5"	539
<b>VB24AHR</b>	24" X 34.5"	539
<b>VB27AH-2B</b>	27" X 34.5"	638
<b>VB30AH-2B</b>	30" X 34.5"	653
<b>VB33AH-2B</b>	33" X 34.5"	668
<b>VB36AH-2B</b>	36" X 34.5"	681

**VANITY SINK BASE**



VSB24AHL



VSB27AH-2B

**21" DEEP VANITY SINK BASE**

**Price**

**A**

<b>VSB30-2B</b>	30" X 32.5"	491
<b>VSB33-2B</b>	33" X 32.5"	504

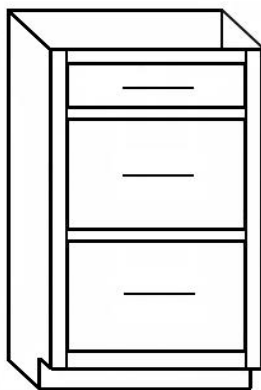
**AH 21" DEEP VANITY SINK BASE**

**Price**

**A**

<b>VSB24AHL</b>	24" X 34.5"	492
<b>VSB24AHR</b>	24" X 34.5"	492
<b>VSB27AH-2B</b>	27" X 34.5"	564
<b>VSB30AH-2B</b>	30" X 34.5"	574
<b>VSB33AH-2B</b>	33" X 34.5"	589
<b>VSB36AH-2B</b>	36" X 34.5"	600

**VANITY DRAWER BASE**



VDB12AH-3

**21" DEEP VANITY DRAWER BASE**

**Price**

**A**

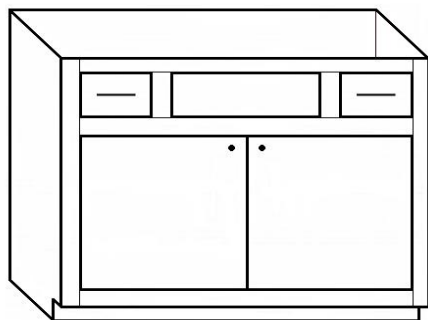
<b>VDB12AH-3</b>	12" X 34.5"	540
<b>VDB15AH-3</b>	15" X 34.5"	570
<b>VDB18AH-3</b>	18" X 34.5"	603
<b>VDB21AH-3</b>	21" X 34.5"	635
<b>VDB24AH-3</b>	24" X 34.5"	668



BADGER CABINETS BUILDER SERIES

**VANITY CABINETS**

VB36SPA & VB39SPA-M VANITY SINK W/SIDE DRAWERS

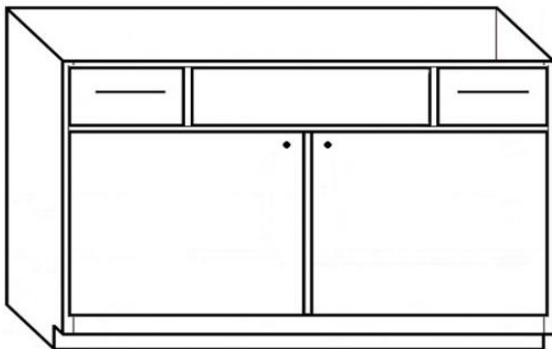


VB36SP-2B

21" DEEP VANITY SINK BASE W/SIDE DRAWERS		Price
		A
VB36SP-2B	36" X 32.5"	588
VB39SP-2B	39" X 32.5"	603
AH 21" DEEP VANITY SINK BASE W/SIDE DRAWERS		Price
		A
VB36SPA-2B	36" X 34.5"	670
VB39SPA-2B	39" X 34.5"	686

VB42SPA & VB48SPA-M VANITY SINK W/SIDE DRAWERS

1/2" SPACE BETWEEN DOORS

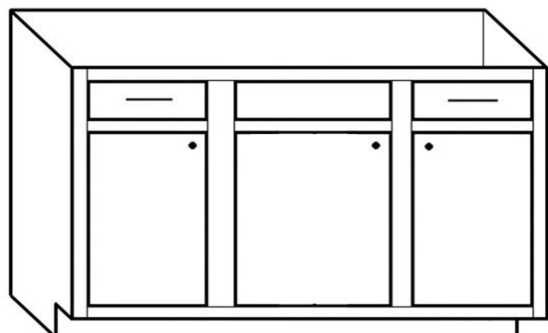


VB42SP

42" & 48" W X 21" DEEP VANITY SINK BASE W/DWRS		Price
		A
VB42SP	42" X 32.5"	615
VB48SP-M	48" X 32.5"	645
AH 42" & 48" W X 21" DEEP VANITY SINK BASE W/DWRS		Price
		A
VB42SPA	42" X 34.5"	699
VB48SPA-M	48" X 34.5"	732

VB54SPA & VB60SPA-M VANITY SINK W/SIDE DRAWERS

CENTER DOOR WILL ALWAYS HINGE LEFT



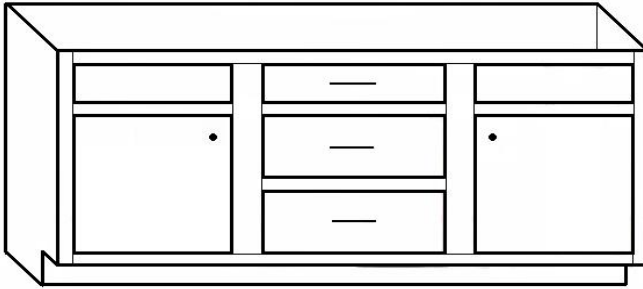
VB54SPA-M

54" & 60" W X 21" DEEP VANITY SINK BASE W/DWRS		Price
		A
VB54SPA-M	54" X 34.5"	791
VB60SPA-M	60" X 34.5"	830

BADGER CABINETS BUILDER SERIES

VANITY CABINETS

All WORKING CENTER DRAWERS STACK



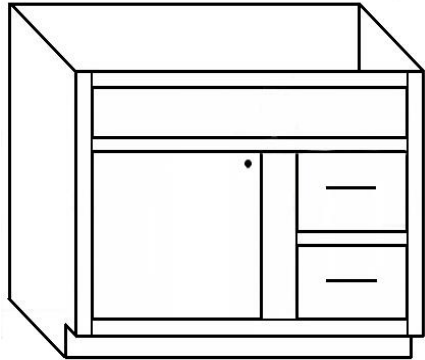
VB54CDAH-3

21" DEEP VANITY BASE W/CENTER STACKED DRAWERS		Price
		<b>A</b>
VB60CD-3	60" X 32.5"	996

AH 21" DEEP VANITY BASE W/CENTER STACKED DRAWERS		Price
		<b>A</b>
VB54CDAH-3	54" X 34.5"	1017
VB57CDAH-3	57" X 34.5"	1048
VB60CDAH-3	60" X 34.5"	1079

24 THRU 36 WILL HAVE FULL WIDTH FALSE FRONT

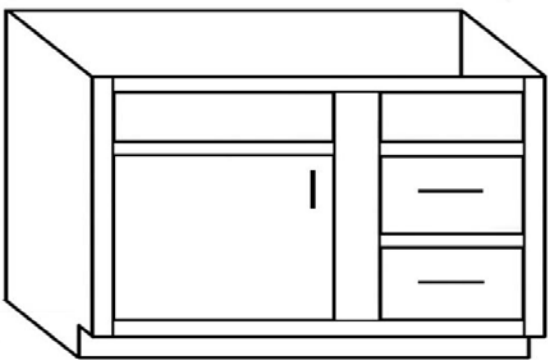
TDR = DRAWERS RIGHT & SINGLE DOOR HINGED LEFT  
 TDL = DRAWERS LEFT & SINGLE DOOR HINGED RIGHT



VB24TDRAH-3

21" DEEP VANITY SINK BASE W/2 WORKING TUB DRAWERS		Price
		<b>A</b>
VB24TDLAH-3	24" X 34.5"	729
VB24TDRAH-3	24" X 34.5"	729
VB27TDLAH-3	27" X 34.5"	717
VB27TDRAH-3	27" X 34.5"	717
VB30TDLAH-3-M	30" X 34.5"	753
VB30TDRAH-3-M	30" X 34.5"	753
VB36TDLAH-3-M	36" X 34.5"	969
VB36TDRAH-3-M	36" X 34.5"	969
VB42TDLAH-3-M	42" X 34.5"	1006
VB42TDRAH-3-M	42" X 34.5"	1006

VB42 WILL HAVE TWO FALSE FRONTS  
 MOD FOR WORKING TOP DRAWER FOR VB42 IS ON PAGE 45

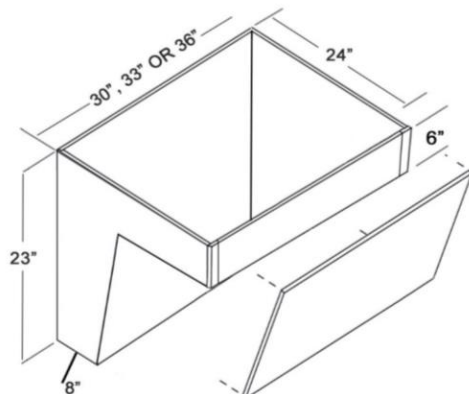


VB42TDRAH-3-M

BADGER CABINETS BUILDER SERIES

VANITY CABINETS

AVAILABLE FOR PROJECTS ONLY - 6 WEEK LEAD TIME

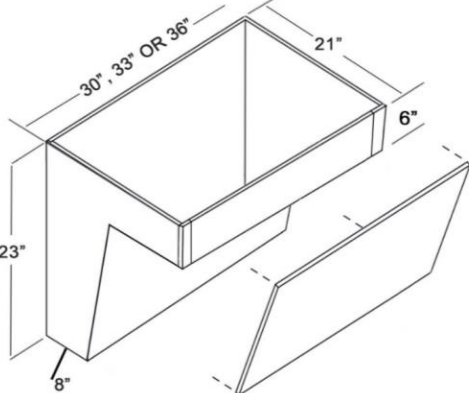


BS-ADA30

REMOVABLE PANEL, WITH MATCHING PRINTED FRONT, FOR ACCESS TO PLUMBING

24" DEEP HANDICAP WALL MOUNT ADA BASE SINK 23" TALL		Price	
		A	
<b>BS-ADA30</b>		825	
<b>BS-ADA33</b>		863	
<b>BS-ADA36</b>		900	

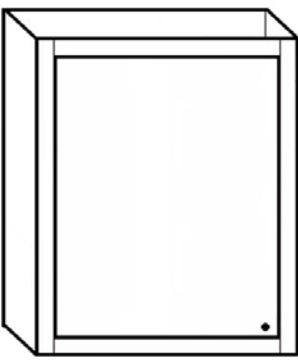
AVAILABLE FOR PROJECTS ONLY - 6 WEEK LEAD TIME



VSB-ADA30

REMOVABLE PANEL, WITH MATCHING PRINTED FRONT, FOR ACCESS TO PLUMBING

21" DEEP HANDICAP WALL MOUNT ADA VANITY SINK 23" TALL		Price	
		A	
<b>VSB-ADA30</b>		675	
<b>VSB-ADA33</b>		713	
<b>VSB-ADA36</b>		750	

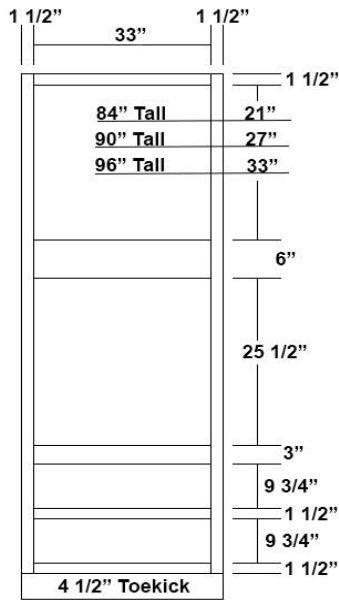


W2430TTU9R

9" DEEP TOLIET TOPPER		Price	
		A	
<b>W2430TTU9L</b>		233	
<b>W2430TTU9R</b>		233	

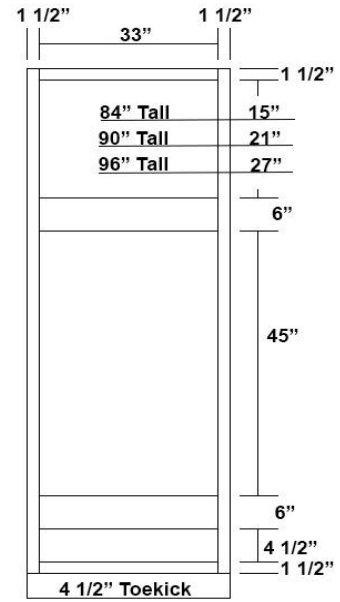
**TALL CABINET DIMENSIONS**

**Single Oven Cabinet**



**Opening Calculation**  
Cabinet Width 33"

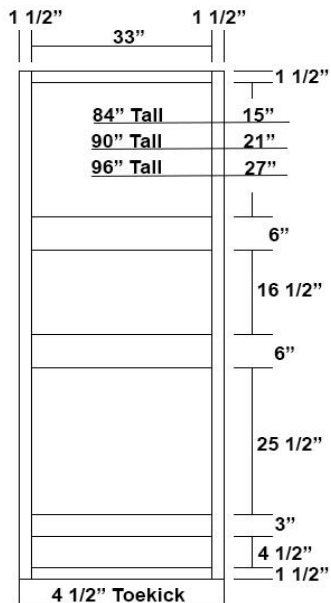
**Double Oven Cabinet**



**Opening Calculation**  
Cabinet Width 33"

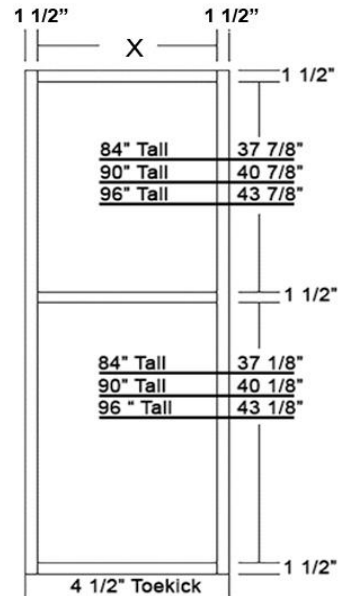
Floor will be at bottom of lower rail to allow for cut out.  
If no cut out is needed floor will need to be blocked up

**Microwave and Single Oven Cabinet**



**Opening Calculation**  
Cabinet Width 33"

**Pantry Cabinet**

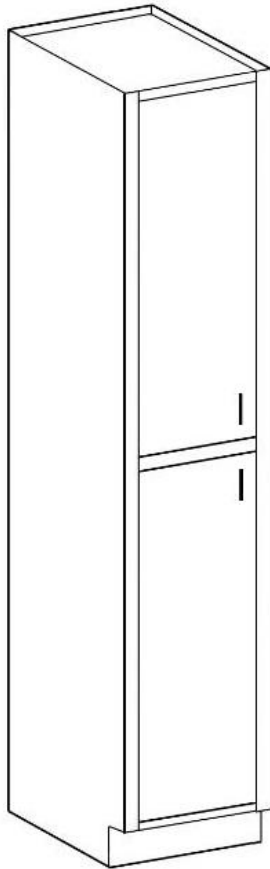


**Opening Calculation**  
Cabinet Width -3" = X

# BADGER CABINETS BUILDER SERIES

## Tall Cabinets

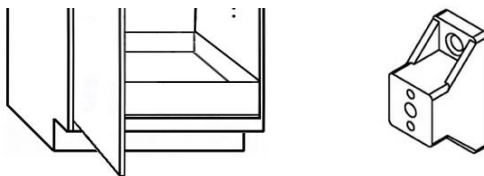
PANTRIES WILL HAVE EQUAL HEIGHT DOORS  
 84" AND 90" HAVE 2 ADJUSTABLE FULL DEPTH SHELVES IN EACH SECTION  
 96" 3 HAS ADJUSTABLE FULL DEPTH SHELVES IN EACH SECTION



24" DEEP PANTRY		Price	
		A	
PE1584U24L	15" x 84"	626	
PE1584U24R	15" x 84"	626	
PE1884U24L	18" x 84"	816	
PE1884U24R	18" x 84"	816	
PE2484U24L	24" x 84"	969	
PE2484U24R	24" x 84"	969	
PE1590U24L	15" x 90"	735	
PE1590U24R	15" x 90"	735	
PE1890U24L	18" x 90"	925	
PE1890U24R	18" x 90"	925	
PE2490U24L	24" x 90"	1078	
PE2490U24R	24" x 90"	1078	
PE1596U24L	15" x 96"	852	
PE1596U24R	15" x 96"	852	
PE1896U24L	18" x 96"	1044	
PE1896U24R	18" x 96"	1044	
PE2496U24L	24" x 96"	1197	
PE2496U24R	24" x 96"	1197	

21" DEEP LINEN PANTRY		Price	
		A	
PLE1884U21L	18"W X 84"T	1059	
PLE1884U21R	18"W X 84"T	1059	
PLE2484U21L	24"W X 84"T	1198	
PLE2484U21R	24"W X 84"T	1198	

ONLY AVAILABLE 24" DEEP

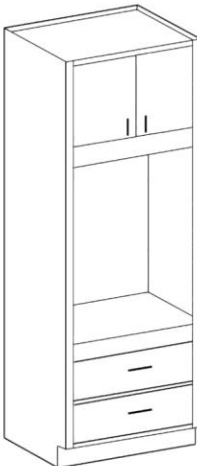
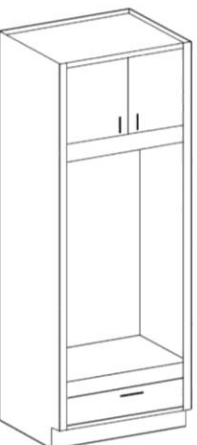
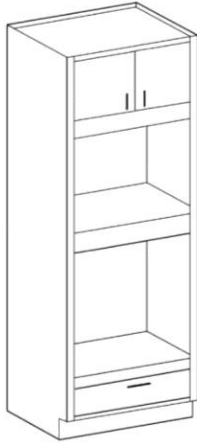


WILL BE LOOSE - MUST BE INSTALLED ON SITE  
 INCLUDES DRAWER SLIDE SPACERS AND GUIDES  
 3/4 EXT SIDE MOUNT  
 TRACK WEIGHT RATING OF 75 LBS  
 1/2" RABBETED BALTIC BIRCH DRAWER  
 ROLLOUT DRAWERS 3 1/2" TALL

LOOSE ROLL OUT FOR PANTRY		Price	
		A	
ROSK-MD-P15LOOSE	24" DEEP	245	EA
ROSK-MD-P18LOOSE	24" DEEP	245	EA
ROSK-MD-P24LOOSE	24" DEEP	245	EA

BADGER CABINETS BUILDER SERIES

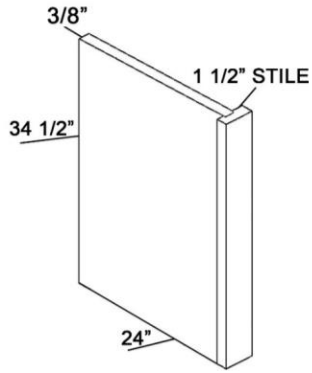
Tall Cabinets

		24" DEEP SINGLE OVEN CABINET		Price
				A
NO SHELF IN 84" - 1 ADJUSTABLE SELF IN 90" & 2 ADJUSTABLE SHELVES IN 96" NO CUSTOM CUT OUTS 		<b>M-OCS3384-2B</b>	33" x 84"	1283
		<b>M-OCS3390-2B</b>	33" x 90"	1364
		<b>M-OCS3396-2B</b>	33" x 96"	1460
		24" DEEP DOUBLE OVEN CABINET		Price
				A
NO SHELF IN 84" - 1 ADJUSTABLE SELF IN 90" & 2 ADJUSTABLE SHELVES IN 96" NO CUSTOM CUT OUTS 		<b>M-OCDS3384-2B</b>	33" x 84"	1207
		<b>M-OCDS3390-2B</b>	33" x 90"	1288
		<b>M-OCDS3396-2B</b>	33" x 96"	1384
		24" DEEP SINGLE OVEN CABINET W/ MICROWAVE		Price
				A
NO SHELF IN 84" - 1 ADJUSTABLE SELF IN 90" & 2 ADJUSTABLE SHELVES IN 96" NO CUSTOM CUT OUTS - MW SECTION WILL HAVE MAPLE PRINTED INTERIOR 		<b>M-OCS3384MW-2B</b>	33" x 84"	1450
		<b>M-OCS3390MW-2B</b>	33" x 90"	1530
		<b>M-OCS3396MW-2B</b>	33" x 96"	1625

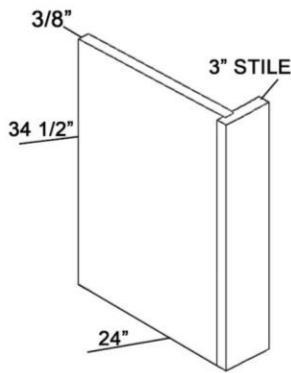
**BADGER CABINETS BUILDER SERIES**

**Panels**

BASE END PANEL WITH 1 1/2" STILE



BASE END PANEL WITH 3" STILE

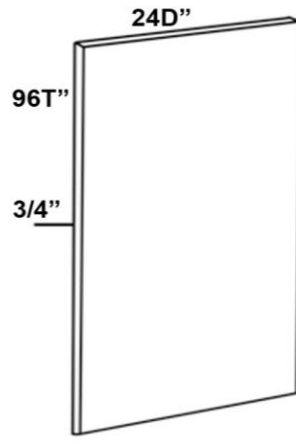


**END PANELS**

**Price**

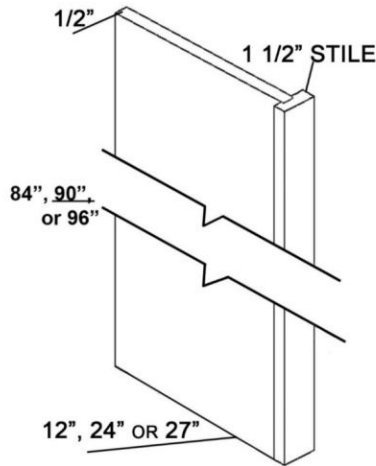
END PANELS		Price
		A
BEP-1 1/2L	24"X34 1/2"	94
BEP-1 1/2R	24"X34 1/2"	94
BEP-3L	24"X34 1/2"	110
BEP-3R	24"X34 1/2"	110

REFRIGERATOR END PANEL - 3/4"



MATCHING VINYL MATERIAL ON BOTH SIDES

FREPU2496-3/4	24"x96"	225



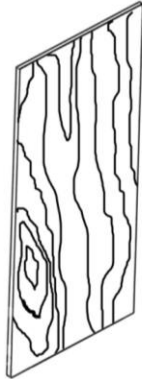
END PANELS WILL HAVE A MATCHING VINYL EXTERIOR AND A MAPLE PRINT INTERIOR.  
ADD FINISHED END IF FINISHED INTERIOR IS NEEDED

REPU1284-1 1/2L	12"X84"	300
REPU1284-1 1/2R	12"X84"	300
REPU1290-1 1/2L	12"X90"	300
REPU1290-1 1/2R	12"X90"	300
REPU1296-1 1/2L	12"X96"	300
REPU1296-1 1/2R	12"X96"	300
REPU2484-1 1/2L	24"X84"	500
REPU2484-1 1/2R	24"X84"	500
REPU2490-1 1/2L	24"X90"	500
REPU2490-1 1/2R	24"X90"	500
REPU2496-1 1/2L	24"X96"	500
REPU2496-1 1/2R	24"X96"	500
REPU2784-1 1/2L	27"X84"	589
REPU2784-1 1/2R	27"X84"	589
REPU2790-1 1/2L	27"X90"	589
REPU2790-1 1/2R	27"X90"	589
REPU2796-1 1/2L	27"X96"	589
REPU2796-1 1/2R	27"X96"	589

# BADGER CABINETS BUILDER SERIES

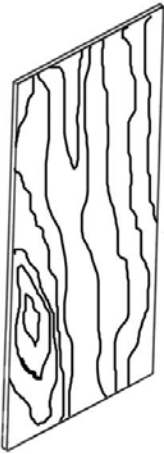
## Panels

1/4" FINISHED END SKINS - FACTORY INSTALLED



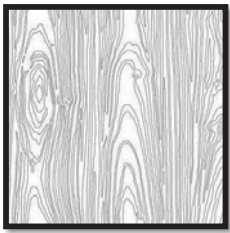
ATTACHED SKIN FOR BASE, WALL, VANITY & TALL CABINETS		Price	
		A	
FINISH END L		35	SF
FINISH END R		35	SF
ATTACHED SKIN FOR DIAGONAL WALL CABINETS		Price	
		A	
FINISH WD END L		35	SF
FINISH WD END R		35	SF

1/4" FINISHED END SKINS - SENT LOOSE



LOOSE END SKINS		Price	
		A	
FINISH END-W12	11 1/4" X 12"	25	EA
FINISH END-W15	11 1/4" X 15"	32	EA
FINISH END-W18	11 1/4" X 18"	38	EA
FINISH END-W21	11 1/4" X 21"	45	EA
FINISH END-W24	11 1/4" X 24"	50	EA
FINISH END-W27	11 1/4" X 27"	57	EA
FINISH END-W30	11 1/4" X 30"	63	EA
FINISH END-W36	11 1/4" X 36"	76	EA
FINISH END-W42	11 1/4" X 42"	88	EA
FINISH END-W12U15	14 1/4" X 12"	31	EA
FINISH END-W15U15	14 1/4" X 15"	39	EA
FINISH END-W18U15	14 1/4" X 18"	44	EA
FINISH END-W21U15	14 1/4" X 21"	51	EA
FINISH END-W24U15	14 1/4" X 24"	58	EA
FINISH END-W30U15	14 1/4" X 30"	73	EA
FINISH END-W36U15	14 1/4" X 36"	88	EA
FINISH END-W42U15	14 1/4" X 42"	102	EA
FINISH END-W12U24	23 1/4" X 12"	50	EA
FINISH END-W15U24	23 1/4" X 15"	64	EA
FINISH END-W18U24	23 1/4" X 18"	76	EA
FINISH END-W24U24	23 1/4" X 24"	100	EA
FINISH END-B34.5	23 1/4" x 34.5"	151	EA
FINISH END-PLE96	20 1/4" x 96"	352	EA
FINISH END-PE96	23 1/4" x 96"	403	EA
FINISH END-REP96	26 1/4" x 96"	454	EA

1/4" AND 3/8" BACK PANEL



BBS - 48" X 34 1/2"

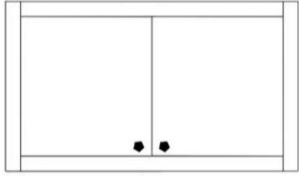
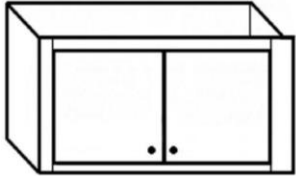
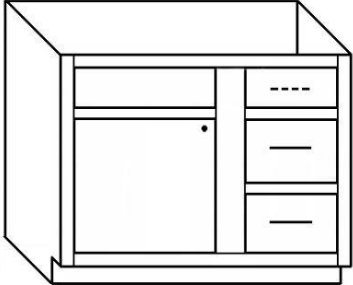
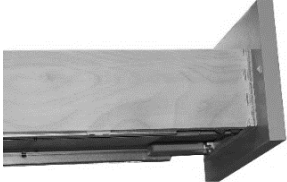


STAIN GRADE 1/4" BBS IS MAPLE VEENER WITH AN MDF CORE. PAINT GRADE IS MDF.

3/8" BBS IS PARTICLE BOARD. IT WILL HAVE MATCHING PRINT ON ONE SIDE AND MAPLE PRINT ON ONE SIDE.

BACK PANEL		Price	
		A	
1/4 FBBS-34 1/2	1/4" X 48" X 34 1/2"	182	EA
3/8 BBS-34 1/2	3/8" X 48" X 34 1/2"	75	EA
1/4 FBBS-42	1/4" X 48" X 42"	182	EA
3/8 BBS-42	3/8" X 48" X 42"	110	EA
1/4 FBBS-FW34 1/2	1/4" X 96" X 34 1/2"	480	EA
1/4 FBBS-FW42	1/4" X 96" X 42"	480	EA



# BADGER CABINETS BUILDER SERIES

		Mods		
<p>FACE FRAME AND DOOR</p>  <p>FACE FRAME AND DOORS ONLY - NO TOE KICK WILL HAVE DADOES STILES AND RAILS</p>	FACE FRAME AND DOOR		<b>Price</b>	
	<b>FFD</b>		<b>A</b> 70%	
	70% OF CABINET LIST PRICE			
<p>EXTENDED STILE</p>  <p>CABINET BOX WIDTH WILL STAY THE SAME - FACE FRAME WIDTH WILL INCREASE 3/4"</p>	ATTACHED EXTENDED STILE		<b>Price</b>	
	<b>AEXT.75L</b>		<b>A</b> 81	
	<b>AEXT.75R</b>		81	
<p>WORKING DRAWER ON TUB VANITY</p> 	MOD FOR WORKING TOP DRAWER		<b>Price</b>	
	<b>WORKING DRAWER</b>		<b>A</b> 103 EA	
	ONLY AVAILABLE ON 42" WIDE TUB DRAWERS			
<p>UPGRADE TO DOVETAIL DRAWER WITH 7/8 UNDERMOUNT SOFT CLOSE GUIDE</p>  <p>TRACK WEIGHT RATING 75LB</p>	THIS STYLE OPTION APPLIES TO ALL DRAWERS		<b>Price</b>	
	<b>DT-BSC 7/8</b>		<b>A</b> 113 EA	
<b>Accessories</b>				
<p>STD 3/4 EXTENSION SIDEMOUNT TRACK</p> 	STD 3/4 EXT SIDEMOUNT TRACK			
	<b>LT-GSM3/4EXT21</b>	21" DEEP	40	PR
	<b>LT-GSM3/4EXT24</b>	24" DEEP	40	PR
<p>BLUM 7/8 EXTENSION UNDERMOUNT SOFT CLOSE TRACK</p> 	BLUM 7/8 EXT SC TRACK			
	<b>554H5330B</b>	21" DEEP	72	PR
	<b>554H4570B</b>	24" DEEP	72	PR



# BADGER CABINETS BUILDER SERIES

## Accessories

### CABINET MATERIAL



CABINET MATERIAL

1/4" HAS MAPLE PRINT ON ONE SIDE AND UNFINISHED ON ONE SIDE  
 3/8" HAS MATCHING PRINT ON ONE SIDE  
 AND MAPLE PRINT ON ONE SIDE

### CAB MATERIAL

#### Price

		A	
<b>CAB MATERIAL-1/4</b>	1/4" X 48" X 96"	140	EA
<b>CAB MATERIAL-3/8</b>	3/8" X 48" X 109"	198	EA

### FACE FRAME MATERIAL



DADOED FACE FRAME MATERIAL

### FACE FRAME MATERIAL

#### Price

		A	
<b>FFMATERIAL-1 1/2</b>	3/4" X 1 1/2 X 90	190	

### FILLERS



F-3X30



F-6X30

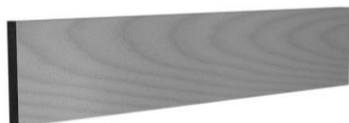
FILLERS ARE FINISHED ON ALL EDGES

### FILLERS

#### Price

		A	
<b>F-3X30</b>	3/4" X 3" X 30"	56	EA
<b>F-3X42</b>	3/4" X 3" X 42"	70	EA
<b>F-3X96</b>	3/4" X 3" X 96"	227	EA
<b>F-6X30</b>	3/4" X 6" X 30"	92	EA
<b>F-6X42</b>	3/4" X 6" X 42"	106	EA
<b>F-6X96</b>	3/4" X 6" X 96"	293	EA

### STRAIGHT VALANCE

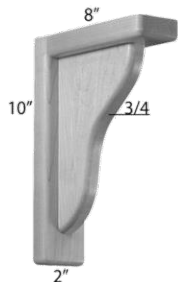


### STRAIGHT VALANCE

#### Price

		A	
<b>STVAL36</b>	6" X 36"	131	EA
<b>STVAL42</b>	6" X 42"	154	EA
<b>STVAL48</b>	6" X 48"	178	EA

### SUPPORTS






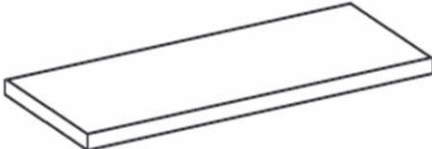
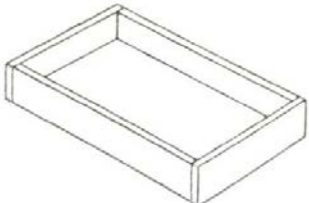
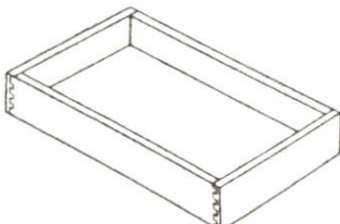
### SUPPORTS

#### Price

		A	
<b>SUPPORTS</b>		167	EA



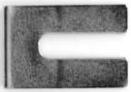


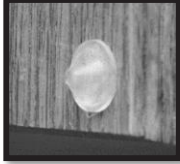









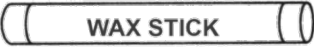
# BADGER CABINETS BUILDER SERIES

## Accessories

<b>LOOSE DOOR</b> FOR SINGLE DOOR - NO RE-FACE JOBS WILL BE ACCEPTED. HINGES NOT INCLUDED IN PRICING SEE BELOW FOR HINGE OPTIONS PRICING IS PER SQUARE FOOT - MINIMUM ORDER 2 SF	<table border="1"> <tr> <td><b>LOOSE DOOR</b></td> <td></td> <td>40</td> <td>SF</td> </tr> <tr> <td></td> <td></td> <td></td> <td></td> </tr> </table>	<b>LOOSE DOOR</b>		40	SF																																																												
<b>LOOSE DOOR</b>		40	SF																																																														
<b>LOOSE DRAWER FRONT</b> CUSTOM SIZES NOT AVAILABLE ON DOORS OR DRAWER FRONTS ONLY STANDARD SIZES THAT ARE AVAILABLE IN MIDLAND CAN BE ORDERED	<table border="1"> <tr> <td><b>LDF-SLAB</b></td> <td></td> <td>55</td> <td>SF</td> </tr> <tr> <td></td> <td></td> <td></td> <td></td> </tr> </table>	<b>LDF-SLAB</b>		55	SF																																																												
<b>LDF-SLAB</b>		55	SF																																																														
<b>ADDITIONAL UPCHARGES FOR FINISH AND WOOD SPECIES WILL APPLY FOR LOOSE DOORS AND DRAWERS FRONTS. PRICE IS BY THE SQUARE FOOT.</b>																																																																	
<b>LOOSE HINGES</b>  <div style="display: flex; justify-content: space-around;"> <div style="text-align: center;"> <p>STANDARD HINGE</p>  </div> <div style="text-align: center;"> <p>SOFT CLOSE HINGE</p>  </div> </div>	<table border="1"> <tr> <td colspan="4" style="text-align: center;">LOOSE STANDARD HINGE</td> </tr> <tr> <td><b>LH-SH1/2</b></td> <td>1/2" OVERLAY</td> <td>8</td> <td>EA</td> </tr> <tr> <td colspan="4">Used on STD overlay</td> </tr> <tr> <td><b>LH-SH3/4</b></td> <td>3/4" OVERLAY</td> <td>8</td> <td>EA</td> </tr> <tr> <td colspan="4">Used on corner cabinet</td> </tr> <tr> <td><b>LH-SH11/4</b></td> <td>1 1/4" OVERLAY</td> <td>8</td> <td>EA</td> </tr> <tr> <td colspan="4">Used on full overlay</td> </tr> <tr> <td colspan="4"> </td> </tr> <tr> <td colspan="4" style="text-align: center;">LOOSE BLUMOTION HINGE</td> </tr> <tr> <td><b>LH-BM1/2</b></td> <td>1/2" OVERLAY</td> <td>10</td> <td>EA</td> </tr> <tr> <td colspan="4">Used on STD overlay</td> </tr> <tr> <td><b>LH-BM3/4</b></td> <td>3/4" OVERLAY</td> <td>10</td> <td>EA</td> </tr> <tr> <td colspan="4">Used on corner cabinet</td> </tr> <tr> <td><b>LH-BM11/4</b></td> <td>1 1/4" OVERLAY</td> <td>10</td> <td>EA</td> </tr> <tr> <td colspan="4">Used on full overlay</td> </tr> <tr> <td colspan="4"> </td> </tr> </table>	LOOSE STANDARD HINGE				<b>LH-SH1/2</b>	1/2" OVERLAY	8	EA	Used on STD overlay				<b>LH-SH3/4</b>	3/4" OVERLAY	8	EA	Used on corner cabinet				<b>LH-SH11/4</b>	1 1/4" OVERLAY	8	EA	Used on full overlay								LOOSE BLUMOTION HINGE				<b>LH-BM1/2</b>	1/2" OVERLAY	10	EA	Used on STD overlay				<b>LH-BM3/4</b>	3/4" OVERLAY	10	EA	Used on corner cabinet				<b>LH-BM11/4</b>	1 1/4" OVERLAY	10	EA	Used on full overlay							
LOOSE STANDARD HINGE																																																																	
<b>LH-SH1/2</b>	1/2" OVERLAY	8	EA																																																														
Used on STD overlay																																																																	
<b>LH-SH3/4</b>	3/4" OVERLAY	8	EA																																																														
Used on corner cabinet																																																																	
<b>LH-SH11/4</b>	1 1/4" OVERLAY	8	EA																																																														
Used on full overlay																																																																	
LOOSE BLUMOTION HINGE																																																																	
<b>LH-BM1/2</b>	1/2" OVERLAY	10	EA																																																														
Used on STD overlay																																																																	
<b>LH-BM3/4</b>	3/4" OVERLAY	10	EA																																																														
Used on corner cabinet																																																																	
<b>LH-BM11/4</b>	1 1/4" OVERLAY	10	EA																																																														
Used on full overlay																																																																	
<b>HINGE RESTRICTOR</b>   <p>Restricts the opening angle of the compact blue motion hinge from a 110 degree angle to a 86 degree angle</p> <p>ONLY AVAILABLE FOR BLUMOTION HINGE</p> <p>NOT AVAILABLE INSTALLED - WILL BE SENT LOOSE WILL NOT WORK ON CABINETS WITH ROLLOUTS</p>	<table border="1"> <tr> <td colspan="4" style="text-align: center;">HINGE RESTRICTOR FOR</td> </tr> <tr> <td><b>HINGE RESTRICTOR</b></td> <td></td> <td>8</td> <td>EA</td> </tr> <tr> <td></td> <td></td> <td></td> <td></td> </tr> <tr> <td></td> <td></td> <td></td> <td></td> </tr> <tr> <td></td> <td></td> <td></td> <td></td> </tr> <tr> <td></td> <td></td> <td></td> <td></td> </tr> <tr> <td></td> <td></td> <td></td> <td></td> </tr> <tr> <td></td> <td></td> <td></td> <td></td> </tr> <tr> <td></td> <td></td> <td></td> <td></td> </tr> <tr> <td></td> <td></td> <td></td> <td></td> </tr> </table>	HINGE RESTRICTOR FOR				<b>HINGE RESTRICTOR</b>		8	EA																																																								
HINGE RESTRICTOR FOR																																																																	
<b>HINGE RESTRICTOR</b>		8	EA																																																														
<b>LOOSE SHELF</b>   <p>WILL BE EDGEBANDED ON FRONT SIDE &amp; HAVE MAPLE PRINT ON TWO SIDE ONLY STANDARD SIZES FOR MIDLAND ARE AVAILABLE</p>	<table border="1"> <tr> <td><b>LOOSE SHELF-12</b></td> <td>5/8" X 10 1/2 DEEP</td> <td>16</td> <td>LF</td> </tr> <tr> <td><b>LOOSE SHELF-21</b></td> <td>5/8" X 19 1/2 DEEP</td> <td>29</td> <td>LF</td> </tr> <tr> <td><b>LOOSE SHELF-24</b></td> <td>5/8" X 21 1/2 DEEP</td> <td>32</td> <td>LF</td> </tr> <tr> <td></td> <td></td> <td></td> <td></td> </tr> <tr> <td></td> <td></td> <td></td> <td></td> </tr> <tr> <td></td> <td></td> <td></td> <td></td> </tr> <tr> <td></td> <td></td> <td></td> <td></td> </tr> <tr> <td></td> <td></td> <td></td> <td></td> </tr> <tr> <td></td> <td></td> <td></td> <td></td> </tr> <tr> <td></td> <td></td> <td></td> <td></td> </tr> </table>	<b>LOOSE SHELF-12</b>	5/8" X 10 1/2 DEEP	16	LF	<b>LOOSE SHELF-21</b>	5/8" X 19 1/2 DEEP	29	LF	<b>LOOSE SHELF-24</b>	5/8" X 21 1/2 DEEP	32	LF																																																				
<b>LOOSE SHELF-12</b>	5/8" X 10 1/2 DEEP	16	LF																																																														
<b>LOOSE SHELF-21</b>	5/8" X 19 1/2 DEEP	29	LF																																																														
<b>LOOSE SHELF-24</b>	5/8" X 21 1/2 DEEP	32	LF																																																														
<b>LOOSE STANDARD DRAWER BOX</b>  	<table border="1"> <tr> <td><b>STDBOXGSM-3 1/2</b></td> <td></td> <td>73</td> <td>EA</td> </tr> <tr> <td><b>STDBOXGSM-7 1/2</b></td> <td></td> <td>73</td> <td>EA</td> </tr> <tr> <td colspan="4" style="text-align: center;">INCLUDES 3/4 EXT SIDEMOUNT GUIDES</td> </tr> <tr> <td></td> <td></td> <td></td> <td></td> </tr> <tr> <td></td> <td></td> <td></td> <td></td> </tr> <tr> <td></td> <td></td> <td></td> <td></td> </tr> <tr> <td></td> <td></td> <td></td> <td></td> </tr> <tr> <td></td> <td></td> <td></td> <td></td> </tr> <tr> <td></td> <td></td> <td></td> <td></td> </tr> </table>	<b>STDBOXGSM-3 1/2</b>		73	EA	<b>STDBOXGSM-7 1/2</b>		73	EA	INCLUDES 3/4 EXT SIDEMOUNT GUIDES																																																							
<b>STDBOXGSM-3 1/2</b>		73	EA																																																														
<b>STDBOXGSM-7 1/2</b>		73	EA																																																														
INCLUDES 3/4 EXT SIDEMOUNT GUIDES																																																																	
<b>LOOSE DOVETAIL DWR</b>  	<table border="1"> <tr> <td><b>DTBOXBG-3 1/2</b></td> <td></td> <td>276</td> <td>EA</td> </tr> <tr> <td><b>DTBOXBG-7 1/2</b></td> <td></td> <td>276</td> <td>EA</td> </tr> <tr> <td colspan="4" style="text-align: center;">INCLUDES 7/8 UNDERMOUNT GUIDE</td> </tr> <tr> <td></td> <td></td> <td></td> <td></td> </tr> <tr> <td></td> <td></td> <td></td> <td></td> </tr> <tr> <td></td> <td></td> <td></td> <td></td> </tr> <tr> <td></td> <td></td> <td></td> <td></td> </tr> <tr> <td></td> <td></td> <td></td> <td></td> </tr> <tr> <td></td> <td></td> <td></td> <td></td> </tr> </table>	<b>DTBOXBG-3 1/2</b>		276	EA	<b>DTBOXBG-7 1/2</b>		276	EA	INCLUDES 7/8 UNDERMOUNT GUIDE																																																							
<b>DTBOXBG-3 1/2</b>		276	EA																																																														
<b>DTBOXBG-7 1/2</b>		276	EA																																																														
INCLUDES 7/8 UNDERMOUNT GUIDE																																																																	

# BADGER CABINETS BUILDER SERIES

## Accessories

				BASE ACCESSORIES		Price	
					20" X 18"		EA
<b>METAL TRAY DIVIDER</b>  LD-597-18CR TRAY DIVIDER				LD-597-18CR	20" X 18"	116	EA
<b>TILT OUT TRAY</b>  6572 TILT OUT TRAY KIT INCLUDES TWO TRAYS				6572-11-TOTK	11" x2 1/8 x 3 3/16"	172	EA
				6572-14-TOTK	14" x2 1/8 x 3 3/16"	172	EA
<b>HINGE SHIM</b> <b>SHELF CLIP</b> <b>HINGE SCREW</b> <b>BUMPER</b>    				<b>HINGESHIM</b>		3	EA
				USED ON HINGES TO PULL DOORS TOGETHER			
				<b>BUMPERS</b>	PER 25	9	SET
				<b>HINGESCREWS</b>	PKG OF 10	10	PKG
				<b>MID SHELF CLIP</b>	5 MM - PER 25	9	EA
<b>PAINT</b>   				<b>PAINT</b>			
				<b>ARCTICPAINTGL</b>		522	EA
				<b>ARCTICPAINTQT</b>		131	EA
				<b>ARCTICPAINTPT</b>		64	EA
				<b>ARCTICPAINTCAN</b>		86	EA
				<b>DUSKPAINTGL</b>		522	EA
				<b>DUSKPAINTQT</b>		131	EA
				<b>DUSKPAINTPT</b>		64	EA
				<b>DUSKPAINTCAN</b>		86	EA
<b>STAIN</b>   				<b>STAIN</b>			
				<b>COFFEESTAINGL</b>		326	EA
				<b>COFFEESTAINTQT</b>		86	EA
				<b>ESPRESSOSTAINGL</b>		326	EA
				<b>ESPRESSOSTAINTQT</b>		86	EA
				<b>SADDLESTAINGL</b>		326	EA
				<b>SADDLESTAINTQT</b>		86	EA
				<b>PEBBLESTAINGL</b>		326	EA
				<b>PEBBLESTAINTQT</b>		86	EA
<b>TOP COAT</b>  				<b>TOPCOATGL</b>			
						261	EA
<b>TOUCH UP KITS</b>  				<b>TUK-PAINT</b>	TOUCH UP KIT	110	EA
				<b>TUK-STAIN</b>	TOUCH UP KIT	110	EA

# BADGER CABINETS BUILDER SERIES

## Accessories

SAMPLE BASE - 18" DEEP



DRAWER WILL HAVE 7/8 EXTENSION UNDERMOUNT SOFT CLOSE TRACK.  
BASE WILL A 3/4 EXTENSION SIDE MOUNT ROLLOUT

SAMPLE DOOR



PIONEER  
MSAMPLE DOOR-P



HIGHLAND  
MSAMPLE DOOR-H

INDIVIDUAL SAMPLE BLOCK



SAMPLE BLOCK SET - SET OF EIGHT



MOLDING CHAIN - SET OF 15 PIECES



SAMPLES		Price	
		A	
PIONEER SAMPLE BASE			
<b>MSBASE-MAPLE-P</b>	13" X 27 1/4"	387	EA
HIGHLAND SAMPLE BASE			
<b>MSBASE-MAPLE-H</b>	13" X 27 1/4"	387	EA
PIONEER SAMPLE DOOR			
<b>MSAMPLE DOOR-P</b>	12 1/2" X 15 1/2"	110	EA
HIGHLAND SAMPLE DOOR			
<b>MSAMPLE DOOR-H</b>	12 1/2" X 15 1/2"	110	EA
MIDLAND STARTER DOOR KIT			
<b>MSDK</b>		664	SET
Includes one of each:			
Pioneer Arctic			
Pioneer Dusk			
Pioneer Coffee			
Pioneer Espresso			
Pioneer Pebble			
Pioneer Saddle			
Highland Arctic			
Highland Dusk			
MIDLANDBOOK		PRICE BOOK	0 EA
MIDTRIFOLD		SET OF 50	25 SET
SAMPLES			
<b>MSBS</b>	BLOCK SET	24	SET
<b>MISB</b>	IND BLOCK	4	EA
<b>MSMC</b>	MOLDING CHAIN	25	SET

**BADGER CABINETS BUILDER SERIES**

**Accessories**

**WALL UNIT**

WALL UNIT IS 27" WIDE, 32 1/2" TALL  
AND 12" DEEP

SHAKER CROWN WILL BE APPLIED



**BASE UNIT**

BASE UNIT IS 27" WIDE, 34 1/2" TALL AND 18" DEEP

DRAWER WILL HAVE BLUM 7/8 SOFT CLOSE  
UNDERMOUNT GUIDE

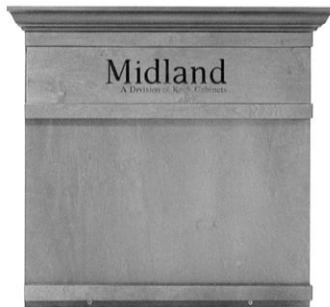
THE BASE WILL HAVE TWO BUTT DOORS AND  
INCLUDES THE STAR DUNE DESIGN FORMICA TOP



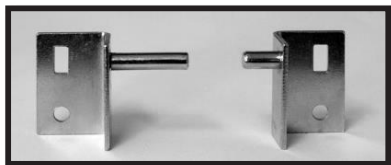
**DOOR RACK**

DOOR RACK UNIT WILL BE 28 1/2" WIDE  
AND 27" TALL

DOOR RACK WILL HAVE SHAKER CROWN



DISPLAYS ARE ONLY AVAILABLE IN ARCTIC OR PEBBLE



SAMPLES		Price	
		A	
WALL DISPLAY CENTER INCLUDES WALL AND BASE UNIT			
<b>W-DISPLAY-ARCTIC</b>	N/A in other paints	1400	EA
<b>W-DISPLAY-PEBBLE</b>	N/A in other stains	1400	EA
RACK DISPLAY CENTER INCLUDES DOOR RACK AND BASE UNIT			
<b>R-DISPLAY-ARCTIC</b>	N/A in other paints	1182	EA
<b>R-DISPLAY-PEBBLE</b>	N/A in other stains	1182	EA
DOOR RACK			
<b>DOOR RACK-ARCTIC</b>	N/A in other paints	465	EA
<b>DOOR RACK-PEBBLE</b>	N/A in other stains	465	EA
<b>DOORBRACKET-HL</b>	LEFT HINGE - DOORS WILL SWING LEFT	8	SET
<b>DOORBRACKET-HR</b>	RIGHT HINGE - DOORS WILL SWING RIGHT	8	SET